

misceda Product Catalogue

Experience Hygiene



PRICE LIST GUARANTEE

Prices are effective as of 1st February 2026. All previous versions are therefore considered ineffective. All delivery services are not included in product prices and are indicated separately. All prices are ex works and excluding VAT.

We reserve the right to adjust our prices to any changes beyond our reasonable control, e.g. major currency fluctuations. Although we do try to ensure that all information in this book is correct at the time of printing, we apologize for any alteration to products or the range that may be made during its life.

MISCEA GENERAL DISCLAIMER

Every reasonable effort will be made to ensure that all featured merchandise is available, but interruption in supply may occur. miscea also reserves the right to vary specifications and design or use alternative materials or products as may be deemed necessary at any time (changes or variation not to affect quality or performance). Prices indicated are valid for the life of the this catalogue, as stated on the inside cover. While great care has been taken to ensure accuracy of all prices and descriptions, miscea reserves the right to correct errors or misprints, customs duty or other statutory charges that are out of our control.

Product Catalogue Version: V26.EN.1.0

MISCEA CONTACT INFORMATION

GERMANY AND AUSTRIA

miscea GmbH
Hauptstraße 2
14979 Großbeeren
Germany

Monday - Friday
08:00 - 17:00

T: +49 (0) 33701 3553 0
F: +49 (0) 33701 3553 19
E: berlin@miscea.com

Installation, user and maintenance manuals, technical drawings and specifications, and product safety data sheets can be found in the download page at www.miscea.com.

THE NETHERLANDS, BELGIUM AND LUXEMBOURG

miscea Benelux B.V.
Transportweg 9D
2421 LT Nieuwkoop
The Netherlands

Monday - Friday
08:30 - 17:00 (CET)

T: +31 (0) 172 76 91 39
E: sales@miscea.com

SWITZERLAND

miscea Schweiz GmbH
Schwanden 49
3054 Schüpfen
Switzerland

Monday - Friday
07:30 - 12:00 (CET)
13:00 - 17:00 (CET)

T: +41 (0) 78 201 87 37
E: info@miscea.ch

UNITED KINGDOM

Ecoprod Technique
33-35 Portugal Rd
Woking GU21 5JE
United Kingdom

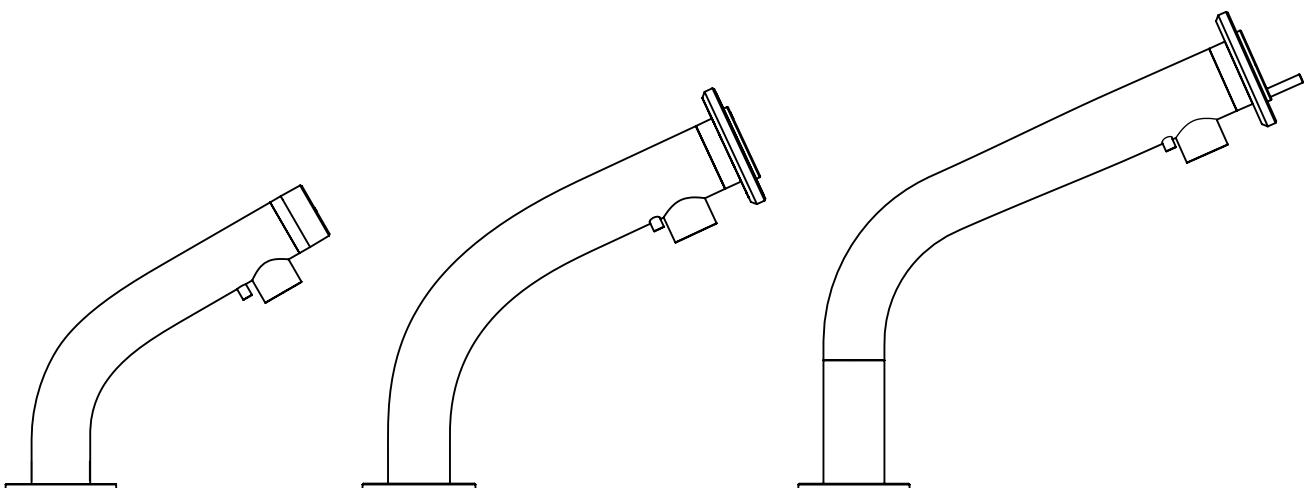
Monday - Friday
08:30 - 16:30 (GMT)

T: +44 (0) 844 800 7890
E: enquiries@ecoprod.co.uk

TABLE OF CONTENTS

	PAGE
INTRODUCTION	7
Our hand hygiene saves lives	7
The miscea concept	10
Experience technology	12
SO, WHY USE MISCEA?	14
Achieve optimal hand hygiene	16
Create safe and stylish spaces	20
Experience joy in easy operation	22
Ensure water quality	24
Achieve sustainable hygiene	28
Reduce costs	30
Enjoy award winning design	32
Experience quality Made in Germany	34
MISCEA SENSOR FAUCET SYSTEMS	36
miscea CLASSIC	38
miscea KITCHEN	46
miscea LIGHT	50
WATER HYGIENE MANAGEMENT	55
miscea aqualibur System	58
miscea Connect App	64
miscea Coldstream Filter System & Filter Cartridge	66
DRINKING WATER APPLIANCES & ACCESSORIES	71
miscea aquamore System	71

	PAGE
REFILLS / ACCESSORIES	83
Liquid Refills	84
Accessories	86
SYSTEM COMPONENTS / SERVICE	91
Dispenser box	92
Waterbox Gen 4	93
Service	95
COMPANY PROFILE	96





OUR HAND HYGIENE SAVES LIVES

MANY INFECTIOUS DISEASES ARE SPREAD BY NOT WASHING HANDS WELL

The skin on our hands is the first line of defence against infections. Our hands come in contact with germs all the time and we transfer these germs to everything that we subsequently touch. Any cuts or lesions of the skin are possible sources of entry for viruses and bacteria, so it's care and hygiene is crucial for reducing the risk of becoming ill.

Although we are unable to see bacteria, according to the WHO, up to 80% of all infectious diseases are transmitted through inadequate hand hygiene. Proper and regular hand washing and disinfecting therefore reduces the risk of possible illnesses such as the flu, food poisoning and healthcare associated infections being passed from one person to the next.

Wherever there are many people present, be it in a healthcare setting, office, production hall, in a shop or in public places, the risk of transmitting infectious diseases is particularly high. There are pathogens (such as noroviruses, influenza viruses), which can lead to epidemics. Good hand hygiene is therefore one of the primary measures to prevent the spread of infection.

EVERYONE **HAS EXPERIENCED** THESE MOMENTS BEFORE...



...BUT NOT EVERYONE HAS
EXPERIENCED THE JOY
OF USING A MISCEA



THE MISCEA CONCEPT

miscea offers unique faucet systems that has revolutionized the way people wash and disinfect their hands. It's the first sensor faucet system of its kind in the world, capable of dispensing water and liquid hand hygiene products from the same faucet. The use of sensors and lights make miscea systems intuitive and easy to use:

1. Moving a hand close to the sensors around the glass display, the selected function is activated.
2. A coloured LED light confirms the function selected.
3. Moving a hand under the water and dispenser outlets will activate the pumps and dispense the selected liquid.

By combining the functions of a faucet with liquid dispensers, the miscea concept has made proper hand washing fast, easy and efficient to perform. Thanks to a unique mix of sophisticated sensor technology, smart engineering and elegant design, hand hygiene simply cannot be performed more comfortably and hygienically than with a miscea system.

The miscea concept was first conceived in 1999, when two engineers shared a vision to simplify the hand washing process and improve the adoption of good hand hygiene into everyday life. They envisioned a "3-in-1" system that combined everything needed for the hand washing process into a single touch free faucet. This vision was successfully realised with the first miscea sensor faucet system. Fittingly, the name miscea was chosen because in Latin the word "misceo", means "to mix" or "to combine".

More than a decade later, miscea now offers an entire range of completely touch free faucet systems designed for use in different settings where hand hygiene is paramount. This can be in operating theatres of leading hospitals and medical centres, research facilities or laboratories, modern lavatories, bathrooms and private kitchens. With miscea systems, good hand hygiene habits can be effortlessly adopted into daily work processes and personal routines.



Water



Soap



Disinfect



Warm water



Cold water

EXPERIENCE TECHNOLOGY

THE MISCEA SYSTEM

Every miscea sensor faucet system consists of a combination of these three components:

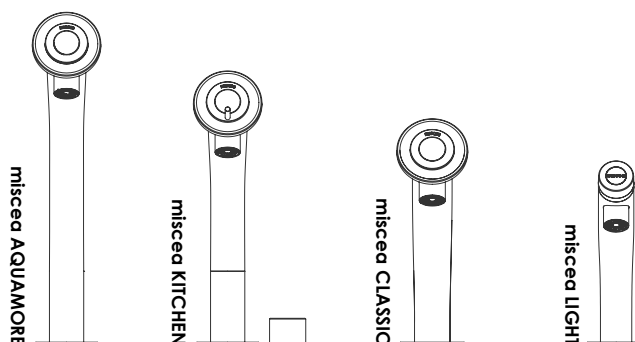
1. miscea sensor faucet
2. miscea waterbox
3. miscea dispenser box



1. THE MISCEA FAUCET

miscea faucets are the main components in every miscea system. They have the latest sensor technology for fast, accurate response to hand gestures. What makes miscea faucets unique is the integrated dispensers and its easy to use interface.

There are 4 faucet models; miscea CLASSIC, miscea LIGHT, miscea KITCHEN and miscea AQUAMORE. Each model has been designed to meet the specific needs of different user groups. Therefore each model has different functionalities to suit different application areas.

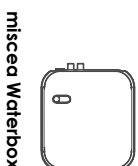




2. THE MISCEA WATERBOX

The miscea waterbox controls the valve that turns the water on and off as well as adjust the water temperature. It contains advanced electronics and is not dependent on batteries.

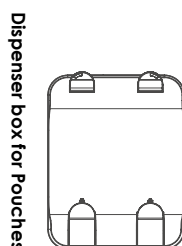
This component is only required with the miscea CLASSIC, miscea KITCHEN and miscea AQUAMORE models.



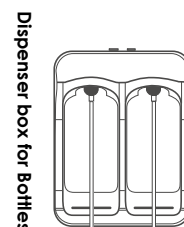
3. THE MISCEA DISPENSER BOX

miscea systems with integrated dispensers include a special component to hold a variety of different liquids such as soap, disinfectant, or other liquid products. This is referred to as the dispenser box and is available in three different versions.

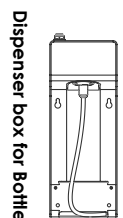
One version is for use with miscea pouches and the other versions are for use with industry standard 1 L Euro bottles. All versions allow for fast and easy replacement of liquid products.



Dispenser box for Pouches



Dispenser box for Bottles



Dispenser box for Bottle

**EXPERIENCE
QUALITY
MADE IN GERMANY**



**ENJOY
AWARD WINNING
DESIGN**



SO, WHY USE

**REDUCE
COSTS**



**ACHIEVE
SUSTAINABLE HYGIENE**





ACHIEVE
**OPTIMAL
HAND HYGIENE**



CREATE
**SAFE AND STYLISH
SPACES**

MISCEA?



EXPERIENCE
JOY IN EASY OPERATION



ENSURE
WATER QUALITY

ACHIEVE OPTIMAL HAND HYGIENE

HAND HYGIENE GUIDELINES IN HEALTHCARE SETTINGS

The World Health Organization (WHO), the Robert Koch Institute (RKI) in Germany, the Dutch Working Group on Infection Prevention (WIP), and many other leading healthcare organisations around the world, have specific guidelines for hand hygiene in healthcare settings. They all recommend using faucets and dispensers without hand contact as the optimal standard for the prevention of infections.

With manually operated faucets and dispensers, bacteria is easily transferred from person to person through hand contact with contaminated surfaces. For this reason, the risk of cross contamination when using conventional products is significantly higher than when using sensor-controlled solutions.

WHO GUIDELINES FOR OPTIMAL HAND HYGIENE

According to the WHO - Guidelines on Hand Hygiene in Healthcare, hand washing stations in healthcare settings should have a reliable supply of hand hygiene products and be adequately equipped with the following:

- **Faucets (including water temperature adjustments) that can be operated without the need to touch the faucet.**
- **Dispensers (soap and disinfectant) that can be operated without hands coming into contact with the dispenser itself.**

These guidelines are intended to protect patients and staff from the transmission of infectious diseases.







MISCEA HAS DEVELOPED THE PERFECT SOLUTION

To meet these requirements set out by the WHO and other leading healthcare organisations, water faucets and dispensers with an extended lever can be used. However operating these types of faucets and dispensers with the forearm, is uncomfortable - especially if they are mounted in hard to reach places. In addition, long lever faucets are uneconomical, since significantly more water is consumed than self closing faucets if the user leaves the water running while hand washing.

Conventional sensor faucets and knee / foot activated faucets are usually unsuitable since these devices don't allow for accurate water temperature adjustments. If water temperature adjustment is available, it can usually only be realised with direct hand contact. This is of course not ideal due to the potential risk of cross contamination.

A miscea sensor faucet system replaces the need for the following separate products:

1. Long lever faucet for changing the water temperature
2. Foot switch that must be installed
3. Solenoid valves for hot and cold water
4. Touch free soap dispenser
5. Touch free disinfectant dispenser

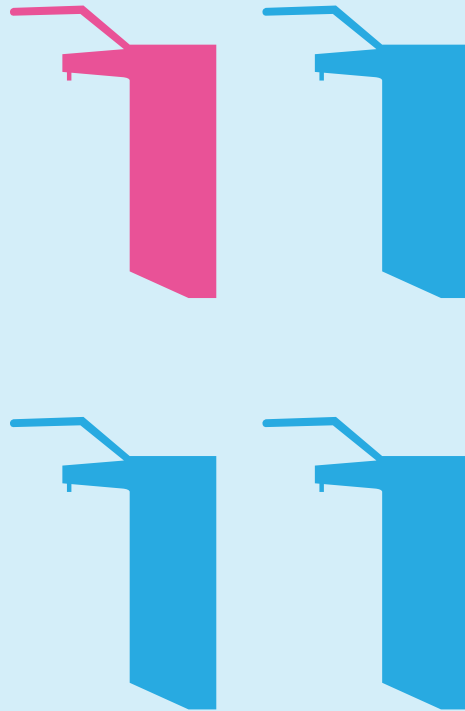


MISCEA SYSTEMS MEAN CONFIDENCE AND SECURITY

From getting water, soap and disinfectant to changing the water temperature, miscea systems are operated completely touch free thanks to state of the art sensor technology. The lack of contact with the faucet itself, reduces the risk of cross contamination before and after hand washing. This ensures the highest hygiene standards can be consistently met.

miscea is the only company in the world offering an all-in-one, completely touch free solution that satisfies hand hygiene guidelines in healthcare settings recommended by world leading healthcare organizations.

1 in 4 refillable bulk soap dispenser is contaminated with illness causing bacteria.



Contaminated liquid soap can actually increase the number of bacteria on your hands after washing. Once a dispenser is contaminated, it becomes very difficult to clean as the bacteria will simply regrow.

miscea systems use peristaltic pumps to ensure reliable and accurate dispensing of the liquid products. This particular type of pump has no seals or valves that can clog, which means they are the most hygienic pumps available.

According to the WHO: "Dispensers should have a disposable reservoir and should not be refilled."

Although the pumps used in miscea systems are very hygienic, it is still recommended the dispensers be thoroughly cleaned and disinfected before each liquid product change. This step ensures liquid products remain effective and uncontaminated when placed into dispensers.

For this reason, miscea TubeCleanse (p. 85) was developed to clean and disinfect the internal dispenser components of miscea systems. This solution is pumped through the dispenser tubes before placing a new liquid product into the dispenser box.

Source: Zapka, Carrie A., Campbell, Esther. J., Maxwell, Sheri L., et al. : "BACTERIAL HAND CONTAMINATION AND TRANSFER AFTER USE OF CONTAMINATED BULK-SOAP-REFILLABLE DISPENSERS" In: AEM. <http://aem.asm.org/content/77/9/2898.full> (visited on 02.12.2017)

CREATE SAFE AND STYLISH SPACES

NO NEED FOR SEPARATE DISPENSERS

Whether in a surgery setting, medical office or public wash room, the surfaces around the faucet and washbasin area should be kept as clean and clutter free as possible. miscea's sensor faucet systems with integrated dispensers are practical and eliminates the need for a multitude of dispensers hanging on the walls or placed on surrounding surfaces near the wash basin.

Instead, the components of the miscea system can be hidden away from view in a cabinet or under the sink. It's compact design requires very little space. This leaves visitors with a clean and tidy impression of the facilities while the completely touch free operation reduces the risk of cross-contamination.

NO DRIPPING, MINIMAL CLEANING EFFORTS AND IMPROVED SAFETY

Studies have shown that unhygienic and unappealing wash rooms discourage hand washing and drive users away. Dirty washbasins, empty soap dispensers or puddles on counter tops are just some of the things that can negatively impact hand hygiene behaviour and user experience.

miscea systems ensure liquid products end up directly in the sink, keeping surrounding surfaces cleaner for longer. Cleaner spaces mean improved safety for everyone. As a result, the cleaning effort is minimized, which leaves more time for the important things.





EXPERIENCE JOY IN EASY OPERATION

ERGONOMIC AND EASY TO USE

On average, a healthcare worker washes their hands 70 times a day. Needless to say, an ergonomic product design is indispensable. Faucets and dispensers with long levers are uncomfortable to operate with the forearm and they don't allow for accurate water temperature adjustments.

The intuitive miscea user interface on the other hand, is extremely comfortable to use. All functions can be activated completely touch free by moving a hand to the desired sector around the glass display. Unnatural movements of the arm is therefore avoided and the overall efficiency and work flow is improved.



FAST AND RELIABLE SENSOR TECHNOLOGY

Equipped with state-of-the-art sensor technology, miscea systems are the most reliable and responsive sensor faucets on the market. Unlike other faucets, miscea systems respond promptly and accurately for a stress-free and enjoyable experience with every use.

SAFE STARTING WATER TEMPERATURE

The pre-set starting water temperature of miscea sensor faucet systems help to prevent scalding accidents. Even if the water temperature is changed during use, the system will immediately revert to the predefined starting water temperature upon the next use.



OPTIMIZE PERFORMANCE OF MISCEA SYSTEMS WITH THE REMOTE CONTROL

Many of the functions of miscea sensor faucet systems can be individually adjusted with the miscea remote control. The amount of soap and disinfectant dispensed can be adjusted according to the different requirements of each facility. As a result, the consumption and costs for liquid products can be reduced.

Other functions such as the starting water temperature, the duration of the water flow, the automatic water spool cycles, and the light mode of the glass ring can all be adjusted individually.

An overview of all the functions which can be adjusted with the remote control can be found on page 86.

EASY INSTALLATION WITHOUT SPECIAL TOOLS

miscea sensor faucet systems are delivered with all the necessary fixings and fasteners for installation so no additional items need to be purchased. By adhering to standardized industry measurements, miscea sensor faucet systems can be installed promptly without the need for special tools or preparation.

Installation and set up of miscea sensor faucet systems is designed to be fast and simple so it can be used immediately.

ENSURE WATER QUALITY

100% INDEPENDENTLY CERTIFIED

The technology in sensor faucets can be quite complex and it's no surprise that the inner workings of a sensor faucet will generally consist of more internal parts than in a conventional hand operated faucet. Many of these internal parts come in contact with water and can therefore become breeding grounds for water borne pathogens. This is of course very dangerous and can even be life threatening to members of the community with compromised immune systems.

Most sensor faucets from other manufacturers (faucets with an electronic opening and closing valve) do not use the latest technologies. Often, inferior materials are used as economic interests are given priority over quality and safety.

This is not the case at miscea. As a sensor faucet manufacturer, we have a special responsibility towards everyone who uses our products and the wider community. By only selecting materials that have been certified and proven to be safe when in contact with drinking water, we ensure the water quality remains unchanged. The materials selected by miscea do not release harmful substances into the water and how miscea systems are engineered helps prevent bacterial growth inside the system.

To help users more easily identify this, miscea has gained WRAS product approval for all miscea sensor faucet systems. This means decision makers and users alike can have the confidence and peace of mind they are selecting high quality and safe products from a brand they can trust.







INNOVATION AND HYGIENE - MISCEAS LEITMOTIV

miscea GmbH develops and produces according to the latest guidelines and technical standards. The materials used and compliance with the legal requirements are of utmost importance to the company. Having the right certifications and approvals such as WRAS, enable miscea systems to be safely connected to any mains water supply.

miscea's multifunctional sensor faucet product family is designed and manufactured in accordance with EU directives (93/68 / EEC, 98/83 / EC, 2006/95 / EC, 89/336 / EEC). The directive EN 15091 is the recognised technical test standard for electronic opening and closing sanitary tap ware.

miscea sensor faucet systems were certified according to WRAS product approval guidelines in the UK. All miscea systems proudly carry the WRAS product approval mark.

It demonstrates miscea systems comply with European standards and provides indisputable proof the systems meet the required quality and performance criteria with regards to mechanical, electronic and hygienic safety.

As part of the certification process, miscea systems also demonstrated compliance with the requirements of the Federal Environment Agency (UBA) in Germany regarding materials and substances that come into contact with drinking water. In addition, all miscea faucet systems have been tested and certified in accordance with EN 1717 "Protection against contamination of potable water in water installations through back flow".

Architects, specifiers, installers and end users can therefore, be assured that miscea systems are deemed to have one of the highest quality standards currently available on the market. Where ever hygiene is of paramount concern, miscea offers high performance, high quality and very hygienic sensor faucet solutions.



miscea faucets can help prevent the growth of bacteria in stagnant water through automatic spool cycles.



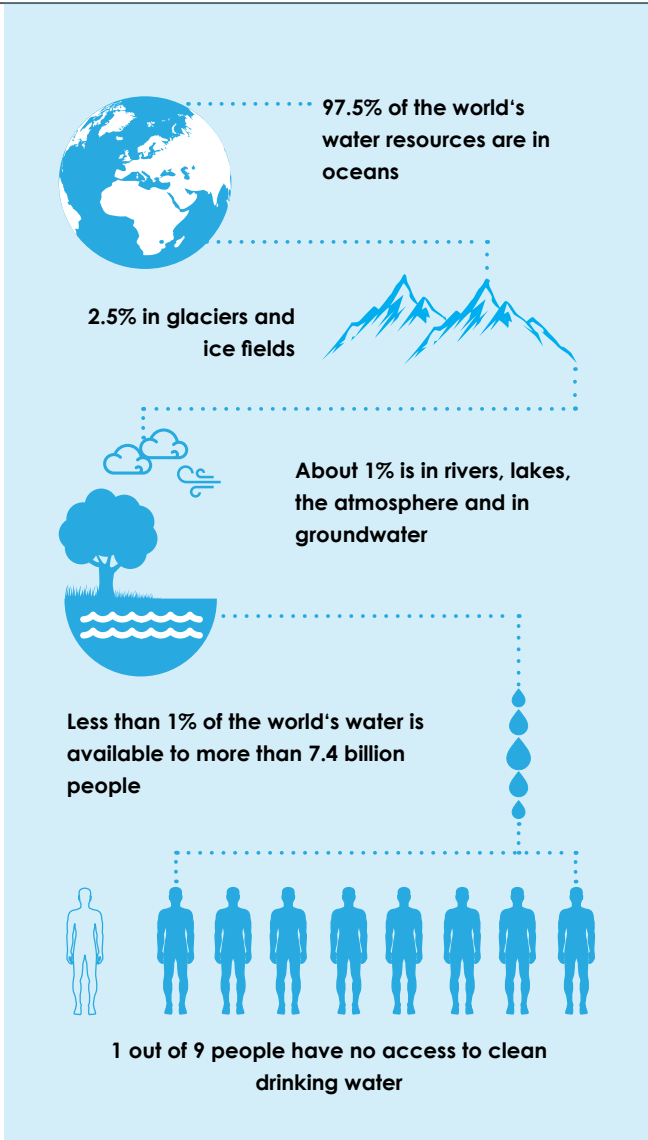
AUTOMATIC SPOOL CYCLE FUNCTION

Manual flushing routines are unreliable, difficult to organise and is therefore cost and labour intensive. miscea sensor faucet systems have an inbuilt safety feature to protect against the growth of waterborne bacteria. If the system has not been used for 14 days, an automatic spool cycle will start. This helps to prevent the growth of bacteria inside the faucet usually associated with stagnant water.

Using the miscea remote control, these automatic spool cycles can be adjusted to meet the different water safety plan requirements of each facility. Equipped with such intelligent software, miscea sensor faucets can pro-actively guard against bacterial growth from water stagnation.

ABOUT WRAS

WRAS is the approval scheme for the UK water industry and products approved by the scheme undergo stringent and rigorous testing to show they comply with the Water Supply (water fittings) Regulation 1999 and Amendments. It means miscea products will not cause waste, undue consumption, misuse, or contamination to the water supply.



ACHIEVE SUSTAINABLE HYGIENE

THE CLEAN WATER CRISIS

Water scarcity is an abstract concept to many and a stark reality for others. Most of the water (97.5%) is in the ocean which means only 2.5% is freshwater. However, two-thirds of this is tied up as ice in glaciers and snow fields. This leaves less than 1% as freshwater in rivers, lakes, the atmosphere and in groundwater.

In essence, only 0.007 % of the planet's water is available to fuel and feed its 7.4 billion people. Wastage of potable water occurs in several ways with manually operated faucets. Typically, they are left running the entire time while performing simple tasks such as hand washing, shaving or cleaning.

Source: „FRESHWATER CRISIS“. In: *National Geographic*. <https://www.nationalgeographic.com/environment/freshwater/freshwater-crisis/> (Visited on 02.12.2017)



At miscea, we believe the key to sustainable water is to take technological advances and combine this with smart design innovations to develop sustainable products for more efficient water usage. This belief is reflected in our day-to-day operations and in the products we design and produce.

SUSTAINABLE SOLUTIONS NOW AND IN THE FUTURE

miscea sensor faucet systems are equipped with the latest sensor technology that allows them to regulate water usage by automatically switching the water on or off as needed.

Special aerators integrated into miscea faucets also help to reduce water usage by enriching the water with air, resulting in a luxurious stream of bubbly water that is soft to the touch and non-splashing.

ENVIRONMENTALLY FRIENDLY LIQUID SOAP

Nowadays, environmental protection plays an important role for a growing proportion of the global population. In this context, it has become clear that more people want to contribute to environmental protection through their personal consumption behaviour.

miscea Eco Soap carries the EU Ecolabel. This label guarantees miscea Eco Soap is compliant with stringent biodegradability requirements and has less impact on the aquatic ecosystems than regular liquid soaps.



REDUCE COSTS

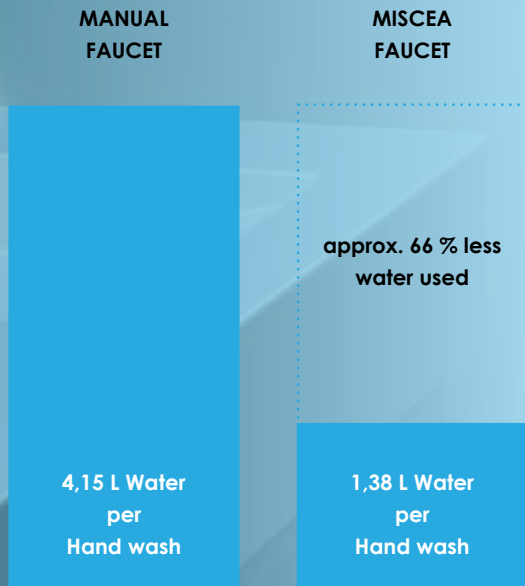
LOWER OPERATING AND MAINTENANCE COSTS

miscea systems enable good hand hygiene in public spaces to be realised with low operating and maintenance costs. Here are just a few of the reasons how miscea systems can accomplish this:

- **High quality parts and components ensure minimum care and maintenance is required.**
- **Using a power adapter instead of a battery-powered solution eliminates battery charging times and unreliable or interrupted power supply.**
- **The default settings are programmed so that exactly 1 ml of soap is used per hand wash, which allows miscea systems 1000 applications per 1 L of soap.**

POTENTIAL WATER SAVINGS

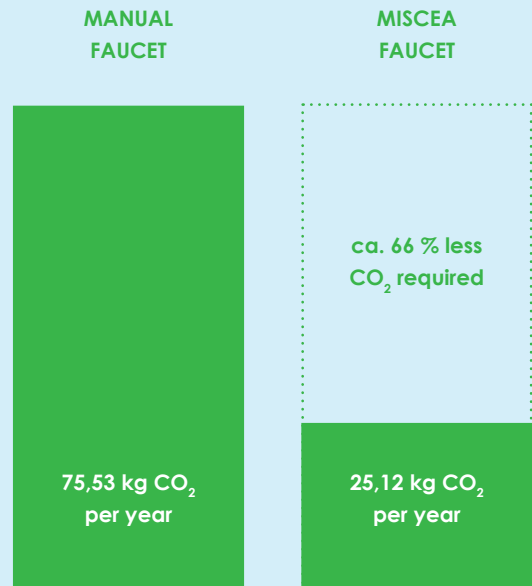
With sensor controlled faucets from miscea, water savings of 60 - 70% can be realized. Using less water also means significantly reducing associated costs such as water heating or waste water costs.



The average duration for washing hands is 30 seconds. A manual faucet consumes 4.15 L of water in this case. A miscea faucet, on the other hand, requires only 1.38 L, since no water flows while hands are being lathered with soap and scrubbed.

REDUCING THE CO2 FOOTPRINT

According to the German Bundestag Research Services, tap water produces 0.35 grams of CO2 emissions per litre of water¹. Based on this figure, it can be calculated that the CO2 footprint can be reduced by 60 to 70% with sensor-controlled faucets from miscea when compared to manual faucets.



¹German Bundestag Scientific Services 2023 - The CO2 footprint of mineral and tap water.

COST PER UNIT PER YEAR

	ALT.	MISCEA
*Soap costs Amount of soap used x No. users per day x No. working days / 1000 x Soap price.	€ 743,60	€ 371,80
**Cleaning and maintenance (Cleaning time / 60) x 52 Weeks x the statutory minimum wage of € 12.41 gross per hour (as of 2024).	€ 161,33	€ 53,78
Electricity costs Power consumption in stand by mode is 1 W/hr. According to Eurostat, the average electricity price for industrial customers in Germany in 2024 is 19 cents / kWh.	-	€ 1,68
***Water costs Water usage per visitor x No. of visitors per day x No. of working days a year / 1000 x ave. hot water price incl. additional costs.	€ 921,88	€ 456,61
TOTAL VARIABLE COSTS	€ 1.826,81	€ 883,87

On the left is an example of the possible operating costs for a miscea system compared with an alternative solution of a manual faucet and separate soap dispenser combination.

The calculation is based on 200 uses per day, 260 working days a year and a hand washing time of 30 seconds. The aerator has a flow rate of 8.3 L / min.

***SOAP COSTS:**

Alternative: 2 ml (On ave. 2 doses of 1 ml is used per hand wash)
miscea: 1 ml
Soap price: 7,15 Euro per 1 L

****CLEANING AND MAINTENANCE COSTS:**

Cleaning duration for Alternative: 15 min per Week
Cleaning duration for miscea: 5 min per Week

*****WATER COSTS:**

Cold water price: 1.69 Euro / m³ (Drinking water-Tariff 2024 Berlin Water Utility)
Warm water price: 2.12 Euro / m³ (ave. Warm water price up 40 degrees)
Waste water price: 2.16 Euro / m³ (Waste water-Tariff 2024 Berlin Water Utility)
Duration of time water outlet is open for Alternative: approx. 30 seconds
Duration of time water outlet is open for miscea System: approx. 10 seconds

ENJOY AWARD WINNING DESIGN

REINVENTING THE FAUCET

miscea' design philosophy is based on, for the most part, German early modernist tradition started by Ludwig Mies Van Der Rohe and the likes of the Bauhaus movement in the early 20th century. Our products are characterized by functionalism and a minimalistic design.

From famous architecture in New York, to the very smart phones we use today, these principles have inspired countless world renowned designers to create outstanding and timeless designs throughout the 20th century and beyond.



Laying the foundation for elegant and intuitive products for many years to come, we strive to design extraordinary products by applying these basic principles of clarity and cleanliness founded by these influential designers. Our products create a stylish and modern atmosphere that improves the look and feel of the environment in which it is used.

As the proud winner of many international accolades such as the red dot design award and IF design award year after year, users can expect to enjoy smart functionalities combined with world class design.



IF DESIGN AWARD

Judged by renowned design experts from around the world, only the most outstanding product designs are recognized and rewarded. The iF label is recognized globally as the seal of design excellence and serves as a guide for quality products in international markets.

RED DOT DESIGN AWARD

As one of the most prestigious design competitions in the world and with more than 4000 entries from over 40 countries each year, the reddot design award is an internationally recognized quality label for excellent design. miscea was awarded with the reddot product design award in the category "best of the best" in 2009 for the miscea CLASSIC system.

GERMAN DESIGN AWARD

The German Design Award is bestowed annually for outstanding achievements in product and communication design by the German Design Council. Only products that are both pioneering and marketable are considered. miscea was nominated in 2014 for a German Design Award.

A'DESIGN AWARD

Winning the A' Design Award is a certificate of excellence for designers and a proof of quality for companies. It is the indicator of quality and perfection in design. The award is recognized worldwide and takes the attention of design oriented companies, professionals and interest groups. miscea won a gold and a silver award for the miscea KITCHEN and LIGHT respectively.

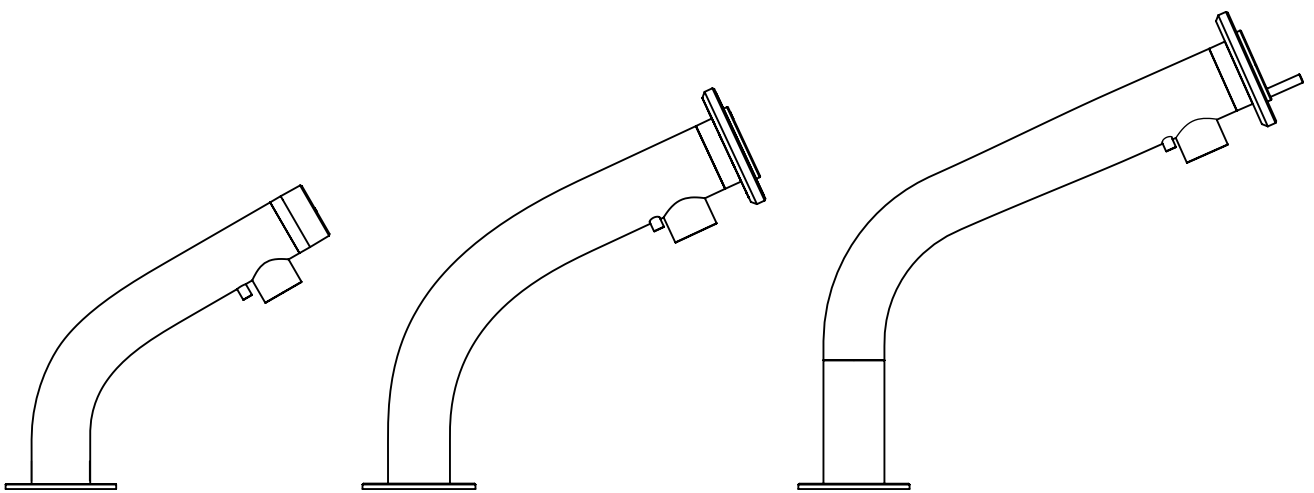
EXPERIENCE QUALITY MADE IN GERMANY

ENJOY HIGH QUALITY SENSOR FAUCET SYSTEMS

miscea systems are produced with world-renowned German quality standards. Users can expect meticulous design, excellent quality and passion for outstanding workmanship. By producing at our own facilities in Germany, we can ensure that the highest quality standards are met. Using high quality materials and components in miscea systems ensures consistently reliable performance and low maintenance - even in the most demanding of environments.







MISCEA SENSOR FAUCET SYSTEMS

PRODUCT INFORMATION: MISCEA CLASSIC



EXPERIENCE THE MISCEA CLASSIC SERIES

THE PROFESSIONAL CHOICE FOR OPTIMAL HAND HYGIENE

The miscea CLASSIC is the world's first sensor-controlled faucet system of its kind. Using advanced sensor technology, it is capable of dispensing water, soap and disinfectant. Even the water temperature can be adjusted completely touch free. It's the new and unique concept that has changed the way people wash and sanitize their hands.

The miscea CLASSIC system reduces the risk of cross-contamination for a more hygienic and germ-free environment. By combining the functions of a water faucet with two dispensers, the system has made hand washing more comfortable, convenient and efficient.

This system is especially suitable for hygiene-sensitive applications such as in medical environments, dental practices, laboratories or sterilisation rooms.

MISCEA CLASSIC SYSTEM - HYGIENE REDEFINED

The miscea CLASSIC system represents innovative, touchless hygiene at the washbasin. This system series offers maximum flexibility and adapts precisely to your requirements – from a comprehensive hygiene solution to a purely water-based function.

Choose between the following three options:

- with integrated soap and disinfectant dispensers, available with and without touchless water temperature control
- with an integrated soap dispenser and touchless water temperature control
- the miscea CLASSIC system as a purely water-based solution with touchless water temperature control

This ensures you always get the perfect combination of convenience, safety, and efficiency – ideal for demanding hygiene environments.

SPECIAL FUNCTIONS ACTIVATED WITH MISCEA REMOTE CONTROL

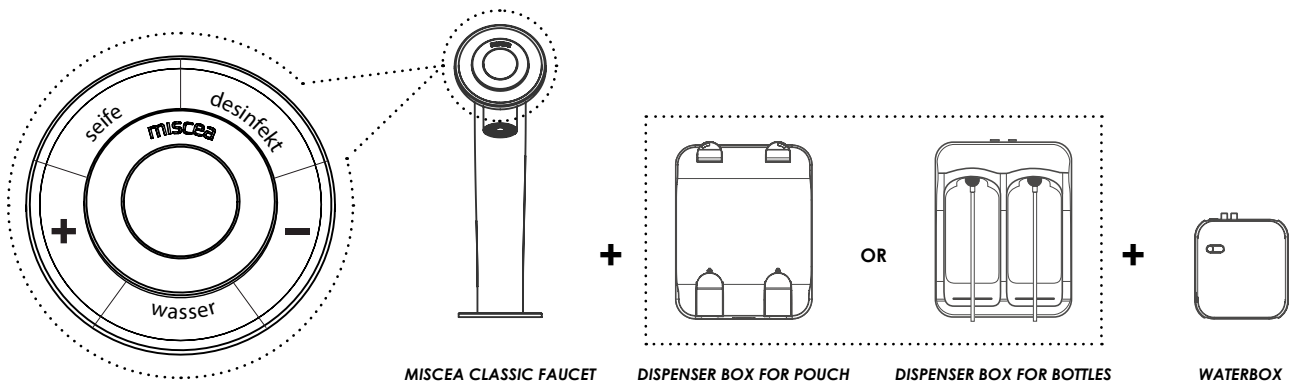
- + Hand disinfect timer
- + Hand wash timer
- + Automatic Water Flush Cycles
- + Automatic Flush at Power On
- + Cleaning mode

Image: miscea CLASSIC fitting with integrated soap and disinfectant dispenser, touchless water temperature control and English display.

PRODUCT INFORMATION: MISCEA CLASSIC

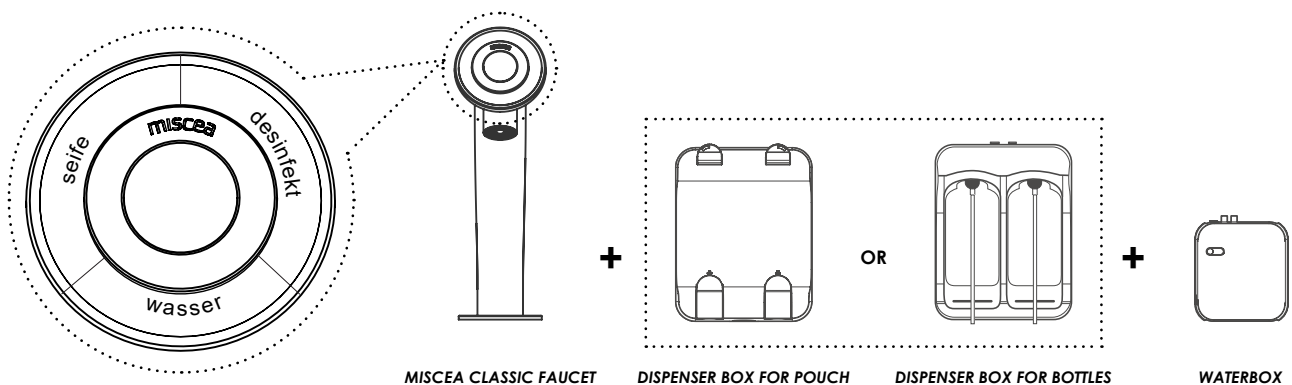
MISCEA CLASSIC CLASSIC

The miscea CLASSIC system with soap and disinfectant dispensers offers integrated dispensers for soap and disinfectant as well as touchless water temperature control. It consists of a sensor-controlled faucet, the waterbox, and the dispenser box.



MISCEA CLASSIC SYSTEM WITHOUT TEMPERATURE CONTROL

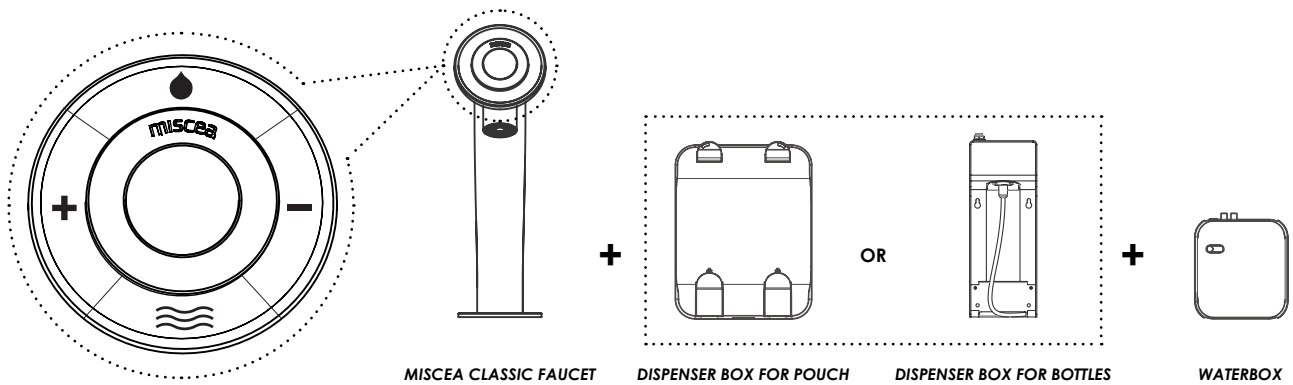
The miscea CLASSIC system with soap and disinfectant dispensers offers integrated dispensers for soap and disinfectant. This version is equipped without water temperature control. It consists of a sensor-controlled faucet, the waterbox, and the dispenser box.



PRODUCT INFORMATION: MISCEA CLASSIC

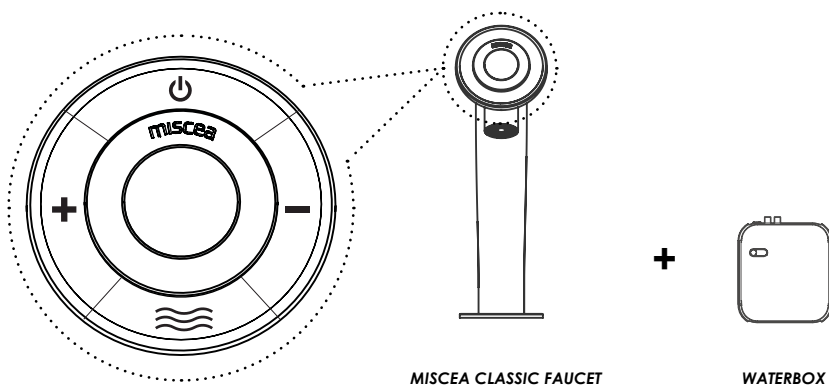
MISCEA CLASSIC WITH WATER AND SOAP DISPENSER

The miscea CLASSIC system with soap dispenser features an integrated soap dispenser. This system can be used as a self-closing faucet. It consists of a sensor-controlled faucet, a waterbox, and a dispenser box.



MISCEA CLASSIC WATER ONLY

The miscea CLASSIC system with water only, allows for touchless water dispensing and temperature control. It can be used as a self-closing faucet or as a start/stop faucet. The desired function is selected by operating either the upper or lower water sector. It consists of a sensor-controlled faucet and a water box.



PRODUCT INFORMATION: MISCEA CLASSIC



Image: miscea CLASSIC fitting with integrated soap and disinfectant dispensers, touchless water temperature control and German display.

DESCRIPTION

Sensor faucet with or without integrated dispenser system for up to two liquid options. Touch free water temperature control is available as an option (only for the miscea CLASSIC variant with soap and disinfectant dispensers).

FEATURES


- Electronic faucet with 2 selectable liquid options
- Faucet user interface made of high quality laser engraved glass
- Clear display for water temperature feedback*
- Touch free water temperature controls*
- User mode for public areas (activated via remote control, sold separately).**
- Automatic flushing for prevention of water-borne bacteria. Cycles completely adjustable with the miscea remote control (sold separately)
- Available with and without **miscea Aqualibur Technology** (See page. 62)
- Compatible with the **miscea Connect App** (Available separately. See page. 65)


INCLUDED

- miscea **CLASSIC** Faucet
- Waterbox Gen 4
- Dispenser box[†]
- miscea Liquids[†]
- Stainless steel braided hoses for hot and cold water connections (850 mm)
- Power plug (Cable length 1800 mm)
- 1 x Installation kit
- 1 x Instruction manual


SPECIFICATIONS

Voltage	24 V _{DC}
Input voltage	100 ~ 240 V _{AC} / 50 - 60 Hz
Operating pressure	0,5 - 8 bar
Max. water temp	70 °C
IP rating of PCB	IP 55

 100%
Contactless

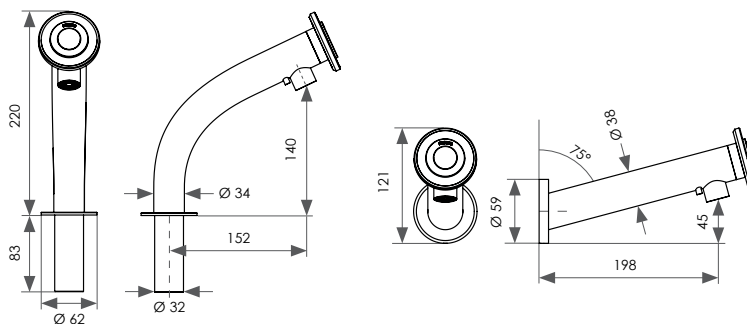
 Integrated
Disinfectant Dispenser

 Integrated
Soap Dispenser

 *Water Temperature
Control

*Available only with miscea CLASSIC models with water temperature control. **Available only with miscea CLASSIC with integrated soap dispenser. †Only with miscea CLASSIC with integrated dispenser system.

For wall models, you can purchase a separate concealed mounting element with item number S02043001 for €49.95. See page 88 for more information.



Standard

Wall

MODEL:

All measurements are in mm.

PRODUCT INFORMATION: MISCEA CLASSIC

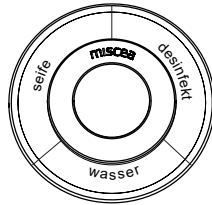
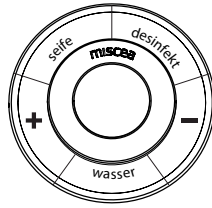
CLASSIC

- Water
- Temperature control
- Soap dispenser
- Disinfectant dispenser

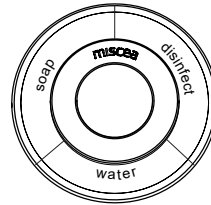
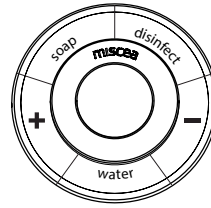
CLASSIC WITHOUT TEMPERATURE CONTROL

- Water
- Soap dispenser
- Disinfectant dispenser

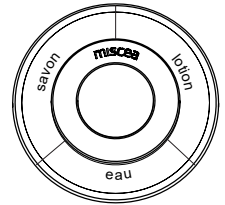
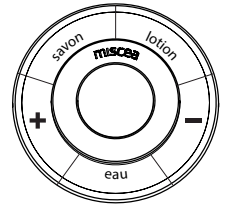
GERMAN (DE)



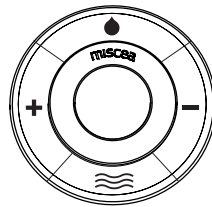
ENGLISH (EN)



FRENCH (FR)



WATER AND SOAP



CLASSIC WITH WATER AND SOAP

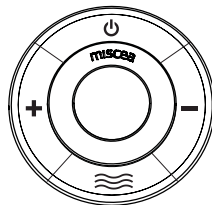
PURE S

- Water
- Temperature control
- Liquid dispenser (soap or disinfectant)

Note: When selecting the miscea CLASSIC system with integrated soap dispenser, the dispenser box is available in two versions:

Dual dispenser box with 2 x 1-liter capacity for each pouch
Single dispenser box with a 1-liter capacity for bottles

WATER ONLY



CLASSIC WITH WATER ONLY

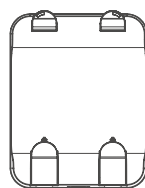
PURE W

- Water
- Temperature control

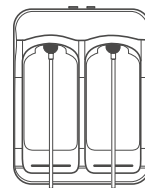
DISPENSER BOX TYPE[†]:

[†]Only available with miscea CLASSIC with integrated dispenser system.

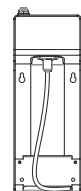
^{**}Only available with miscea CLASSIC system with bottled soap dispenser.



POUCHES - 2 x 1L



BOTTLES - 2 x 1L



BOTTLE - 1 x 1L^{}**

PRODUCT INFORMATION: MISCEA CLASSIC

MISCEA CLASSIC SYSTEM

FINISH OPTIONS	MODEL		DISPENSER BOX TYPE		DISPLAY			PRICE	ART. NR.
	Standard	Wall	Pouch	Bottle	DE	EN	FR		
Stainless Steel	✓		✓		✓			1.295,00	CER1S1NCDE
	✓		✓		✓	✓		1.295,00	CER1S1NCEN
	✓		✓				✓	1.295,00	CER1S1NCFR
	✓			✓	✓			1.395,00	CER1S2NCDE
	✓			✓	✓	✓		1.395,00	CER1S2NCEN
	✓			✓	✓		✓	1.395,00	CER1S2NCFR
		✓		✓		✓		1.295,00	CER3S1NCDE
		✓		✓		✓	✓	1.295,00	CER3S1NCEN
		✓		✓			✓	1.295,00	CER3S1NCFR
			✓		✓	✓		1.395,00	CER3S2NCDE
			✓		✓		✓	1.395,00	CER3S2NCEN
			✓		✓		✓	1.395,00	CER3S2NCFR

Prices are exclusive of VAT, and shipping costs

MISCEA CLASSIC SYSTEM WITHOUT TEMPERATURE CONTROL

FINISH OPTIONS	MODEL		DISPENSER BOX TYPE		DISPLAY			PRICE	ART. NR.
	Standard	Wall	Pouch	Bottle	DE	EN	FR		
Stainless Steel	✓		✓		✓			1.195,00	CER1S1NCDETO
	✓		✓		✓	✓		1.195,00	CER1S1NCENTO
	✓		✓				✓	1.195,00	CER1S1NCFRTO
	✓			✓	✓	✓		1.295,00	CER1S2NCDETO
	✓			✓	✓		✓	1.295,00	CER1S2NCENTO
	✓			✓	✓		✓	1.295,00	CER1S2NCFRTO
		✓		✓		✓		1.195,00	CER3S1NCDETO
		✓		✓		✓	✓	1.195,00	CER3S1NCENTO
		✓		✓			✓	1.195,00	CER3S1NCFRTO
			✓		✓	✓		1.295,00	CER3S2NCDETO
			✓		✓		✓	1.295,00	CER3S2NCENTO
			✓		✓		✓	1.295,00	CER3S2NCFRTO

Prices are exclusive of VAT, and shipping costs

MISCEA CLASSIC SYSTEM - WATER AND SOAP DISPENSER

FINISH OPTIONS	MODEL		DISPENSER BOX TYPE		DISPLAY	PRICE	ART. NR.
	Standard	Wall	Pouch*	Bottle**			
Stainless Steel	✓		✓		✓	1.095,00	CER1S1NC
	✓			✓	✓	1.145,00	CER1S2NC
		✓	✓		✓	1.095,00	CER3S1NC
		✓		✓	✓	1.145,00	CER3S2NC

Prices are exclusive of VAT, and shipping costs. *Includes dispenser box for 2 x 1L soap bags. **Includes dispenser box for 1 x 1L soap bottle.

MISCEA CLASSIC SYSTEM - WATER ONLY

FINISH OPTIONS	MODEL		DISPENSER BOX TYPE	DISPLAY	PRICE	ART. NR.	
	Standard	Wall					
Stainless Steel	✓		None	Symbol	€	995,00	CER1NC
		✓	None	Symbol	€	995,00	CER3NC

Prices are exclusive of VAT, and shipping costs

PRODUCT INFORMATION: MISCEA CLASSIC

FINISH OPTIONS

If you would like to place an order with different finishes from this model series, simply replace the color code in the second position of the product item number with your desired color code.

For example, in item number CER1S1NCEN, the **E** stands for the **Stainless Steel** finish. If you would like to order the same product in **Polished Gold** replace the **E** with **GP**. The item number would then be CGPR1S1NCEN.

The finishes shown here are for illustrative purposes only and may differ from the actual product.

							
COLOUR:	Polished Chrome	Matt Black	Matt White	Gun Metal	Antique Copper	Antique Gold	Polished Gold
CODE:	C	SM	WM	GM	KA	GA	GP
ADDED COST:	+0 EUR	+74,95 EUR	+74,95 EUR	+129,95 EUR	+129,95 EUR	+129,95 EUR	+295,95 EUR

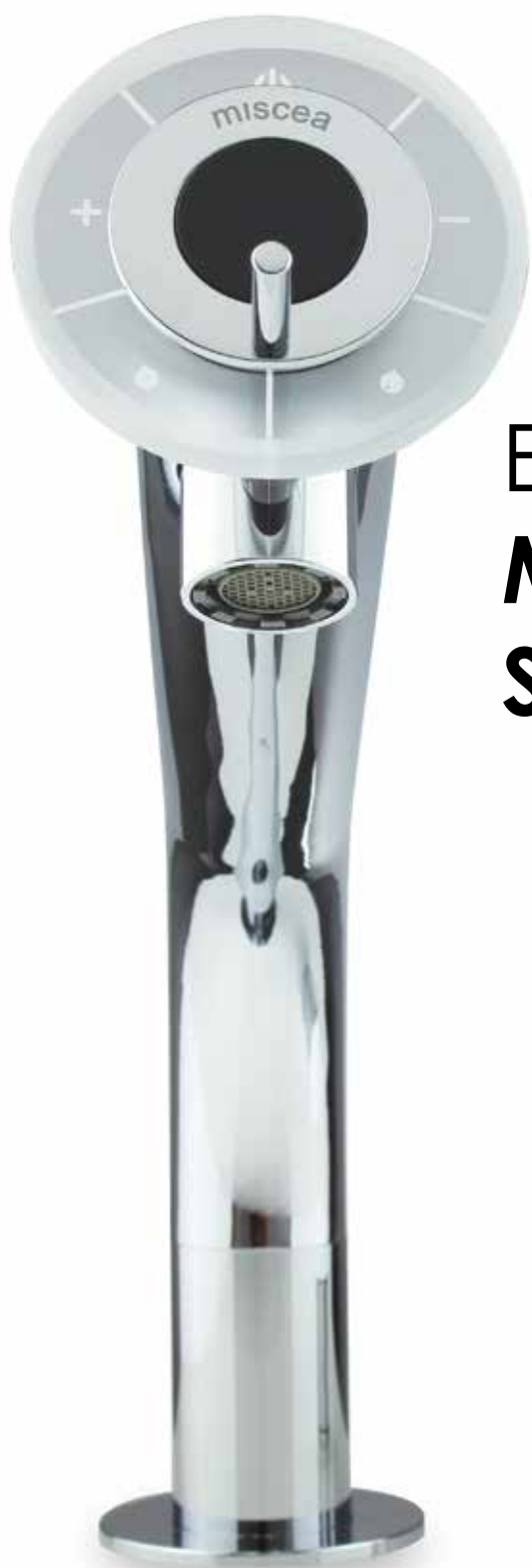
ORDERING MISCEA AQUALIBUR TECHNOLOGY

miscea Aqualibur technology can be added as an option when purchasing a miscea system from the CLASSIC or KITCHEN series for an additional **€100**. To order a model with Aqualibur, **add an „A“ after the first letter in the item number** (e.g., CAER1S1NCDE instead of CER1S1NCDE).

ORDERING MISCEA CONNECT TECHNOLOGY

miscea Connect technology is available as an option for miscea systems in the CLASSIC and KITCHEN series and costs a one-time fee of **€50**, including unlimited use of the miscea Connect app. To order miscea Connect, **add the letter „C“ to the end of the item number** (e.g., CER1S1NCDEC instead of CER1S1NCDE).

Prices are exclusive of VAT, and shipping costs. Lead time for polished chrome / brushed stainless steel: approx. 2 - 4 weeks. Lead times for all other colour variants: approx. 6 - 8 weeks. Please inquire about the current delivery times at berlin@miscea.com.



EXPERIENCE THE **MISCEA KITCHEN SYSTEM**

THE PERFECT AND HYGIENIC SOLUTION

miscea KITCHEN is a water faucet with two integrated dispensers for soap and disinfectant. The functional sectors for water, soap, disinfectant and adjustment of water temperature on the user interface can all be activated and de-activated completely touch free. A unique feature of the miscea KITCHEN system is that water can be turned on and off by activating and de-activating the water sector on the glass user interface. As a result, the user can control how long the water flows depending on the task at hand. Alternatively, the miscea KITCHEN is also available in a version without an integrated dispenser.

This system is especially suitable for hygiene sensitive areas such as treatment rooms or sterilisation rooms in dental practices, hospitals, laboratories and other similar locations.

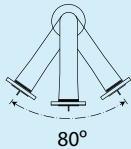
The following are just some of the unique features that make the miscea KITCHEN system the perfect solution for hygiene sensitive applications:

SWIVEL SPOUT WITH ROTATION ANGLE OF 80° OR 120°

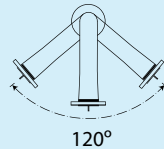
The added feature of a swivel spout on the miscea KITCHEN faucet means it can be used over wide or double wash basins so dispensing of liquid products is not fixed to one spot. It gives users more freedom to move the faucet so it can be accessed from different angles.

This swivel spout feature is unique to the miscea KITCHEN model within the miscea range of sensor faucet systems.

80° rotation angle



120° rotation angle



COMPATIBLE WITH VACUUM POUCHES AND BOTTLES

The miscea KITCHEN is compatible with liquid products in miscea vacuum sealed pouches or with standardized 1 L Euro bottles.

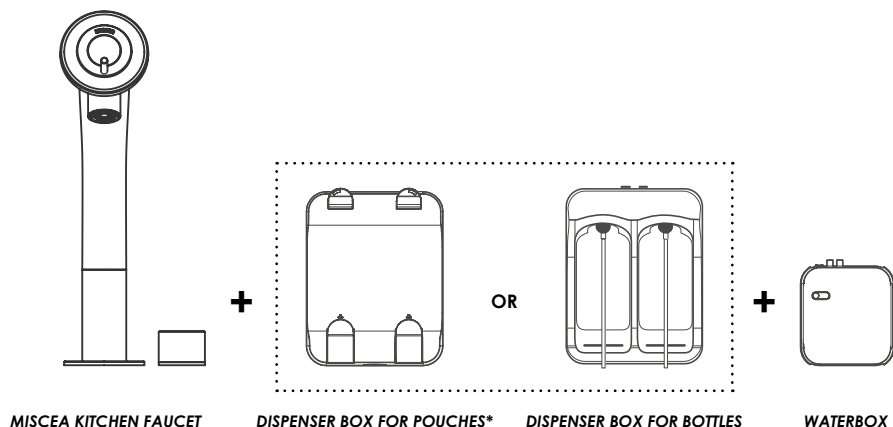
OPTIMAL HYGIENE AND CLEANLINESS

One of the unique advantages with all miscea systems is that liquid products are dispensed over the wash basin. This means unhygienic or damaged work surfaces caused by dripping or splashing from conventional wall dispensers are no longer an issue.

SYSTEM COMPONENTS

The miscea KITCHEN system consists of the KITCHEN sensor faucet, the waterbox and the dispenser box. This system can be used with vacuum sealed pouches or with standardized 1 L Euro bottles. A hand operated water flow regulator is optionally available for adjusting the amount of water flow.

*The dispenser box is only available with the miscea KITCHEN with integrated dispenser system.



PRODUCT INFORMATION: MISCEA KITCHEN



Image: miscea KITCHEN faucet with integrated soap and disinfectant dispenser and touchless water temperature control.

-  100% Contactless
-  Integrated Disinfectant Dispenser*
-  Integrated Soap Dispenser*
-  Water Temperature Control
-  80° - 120° Rotation Angle

DESCRIPTION

Sensor faucet with or without integrated soap and disinfectant dispensers and touch free water temperature controls.

FEATURES

- Electronic faucet with or without 2 selectable liquid options
- Faucet user interface made of high quality laser engraved glass
- Clear display for water temperature feedback
- Touch free water temperature controls
- Optional water flow regulator to increase / decrease the water flow
- Automatic flushing for prevention of water-borne bacteria. Cycles completely adjustable with the miscea remote control (sold separately)
- Compatible with the **miscea Aqualibur Technology** (Available separately. See page. 62)
- Compatible with the **miscea Connect App** (Available separately. See page. 65)

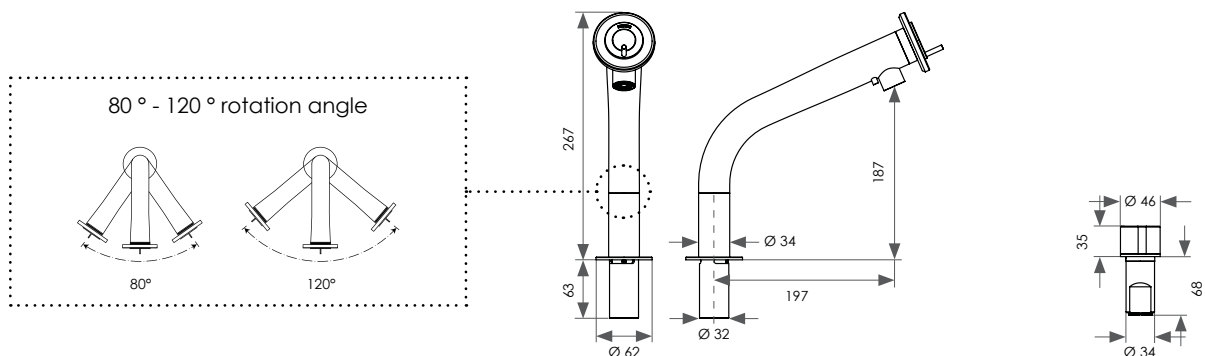
INCLUDED

- miscea **KITCHEN** Faucet
- Waterbox Gen 4
- Dispenser box
- miscea Liquids
- Stainless steel braided hoses for hot and cold water connections (Length 850 mm)
- Power plug (Cable length 1800 mm)
- 1 x Installation kit
- 1 x Instruction manual

SPECIFICATIONS

Voltage	24 V _{DC}
Input voltage	100 ~ 240 V _{AC} / 50 - 60 Hz
Operating pressure	0,5 - 8 bar
Max. water temp	70 °C
IP rating of PCB	IP 55

All measurements are in mm



MODEL / ACCESSORIES:

Standard

Water flow regulator

PRODUCT INFORMATION: MISCEA KITCHEN

FINISH OPTIONS	MODEL	DISPENSER BOX TYPE			ACCESSORIES	PRICE	ART. NR.
		None	Pouch	Bottle			
	Standard				Water flow regulator	€	
Stainless Steel	✓	✓			✓	1.295,00	KER4NC
	✓		✓		✓	1.495,00	KER4S1NC
	✓			✓	✓	1.595,00	KER4S2NC
	✓	✓				1.195,00	KER4NC0
	✓		✓			1.395,00	KER4S1NC0
	✓			✓		1.495,00	KER4S2NC0

FINISH OPTIONS

If you would like to place an order with different finishes from this model series, simply replace the color code in the second position of the product item number with your desired color code.

For example, in item number KER4S2NC, the **E** stands for the **Stainless Steel** finish. If you would like to order the same product in **Polished Gold** replace the **E** with **GP**. The item number would then be **KGPR4S2NC**.

The finishes shown here are for illustrative purposes only and may differ from the actual product.

							
COLOUR:	Polished Chrome	Matt Black	Matt White	Gun Metal	Antique Copper	Antique Gold	Polished Gold
CODE:	C	SM	WM	GM	KA	GA	GP
ADDED COST:	+0 EUR	+74,95 EUR	+74,95 EUR	+129,95 EUR	+129,95 EUR	+129,95 EUR	+295,95 EUR

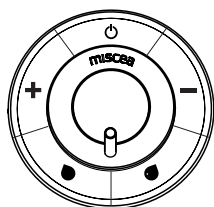
ORDERING MISCEA AQUALIBUR TECHNOLOGY

miscea Aqualibur technology can be added as an option when purchasing a miscea system from the CLASSIC or KITCHEN series for an additional **€100**. To order a model with Aqualibur, **add an „A“ after the first letter in the item number** (e.g., **KAER4S1NC** instead of **KER4S1NC**).

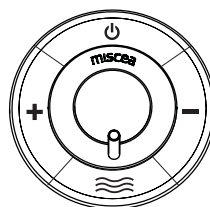
ORDERING MISCEA CONNECT TECHNOLOGY

miscea Connect technology is available as an option for miscea systems in the CLASSIC and KITCHEN series and costs a one-time fee of **€50**, including unlimited use of the miscea Connect app. To order miscea Connect, **add the letter „C“ to the end of the item number** (e.g., **KER4S1NCC** instead of **KER4S1NC**).

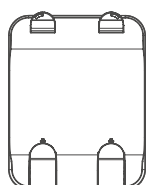
Prices are exclusive of VAT, and shipping costs. Lead time for polished chrome / brushed stainless steel: approx. 2 - 4 weeks. Lead times for all other colour variants: approx. 6 - 8 weeks. Please inquire about the current delivery times at berlin@miscea.com.



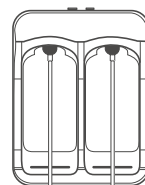
WITH DISPENSERS



WITHOUT DISPENSERS



DISPENSER BOX TYPE: FOR POUCHES



FOR BOTTLES

PRODUCT INFORMATION: MISCEA LIGHT



EXPERIENCE THE MISCEA LIGHT “2-IN-1”-SYSTEM

IMPROVE AMBIENCE AND HAND WASHING EXPERIENCE IN GUEST WASH-ROOMS

The miscea LIGHT system has a 2 L soap dispenser built directly into the faucet for convenience and comfort. With fast and reliable sensor activation, the miscea LIGHT dispenses soap and water with precision and makes hand washing a hygienic and enjoyable experience.

Where high standards of cleanliness and hygiene are expected, the miscea LIGHT is the most cost-effective, touch free faucet and dispenser system to fulfil even the most demanding requirements. The system is best suited to environments where changing the water temperature is not required.

SYSTEM COMPONENTS

The miscea LIGHT system is available in two versions.

1. MISCEA LIGHT SENSOR FAUCET WITH INTEGRATED SOAP DISPENSER

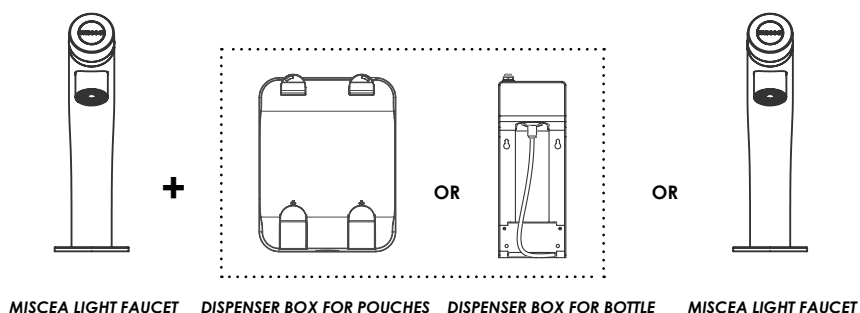
This miscea LIGHT model consists of the LIGHT sensor faucet and dispenser box for use with pouches or with bottle.

+ Special Public Mode Program for Public Spaces

To help improve hand hygiene habits in shared public bathrooms, the public mode can be activated to ensure everyone using the faucet is first automatically given soap then water to properly wash hands.

2. MISCEA LIGHT SENSOR FAUCET WITHOUT INTEGRATED SOAP DISPENSER

This miscea LIGHT model consists only of the LIGHT sensor faucet.



PRODUCT INFORMATION: MISCEA LIGHT



Image: miscea LIGHT fitting with integrated soap dispenser and English display.



100%
Contactless



Integrated
Soap Dispenser

DESCRIPTION

Sensor faucet available with and without integrated soap dispenser.

FEATURES

- Electronic faucet
- User interface made of robust Makrolon polycarbonate
- Automatic flushing for prevention of water-borne bacteria. Cycles completely adjustable with the miscea remote control (sold separately)
- User mode for public spaces can be activated with remote control (sold separately)
- Electronics and solenoid valve integrated into faucet

INCLUDED

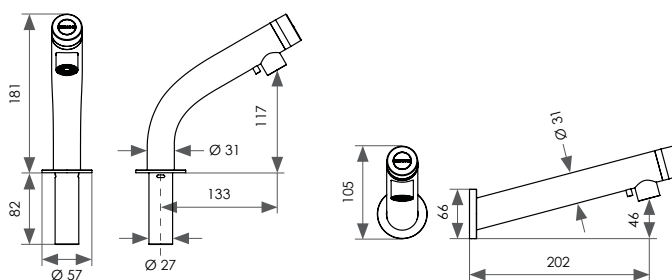
- miscea **LIGHT** Faucet
- *Dispenserbox
- *miscea Liquids
- Stainless steel braided hose for the water connection (850 mm)
- Power plug (Cable length 1800 mm)
- 1 x Installation kit
- 1 x Instruction manual

SPECIFICATIONS

Voltage	12 V _{DC}
Input voltage	100 ~ 240 V _{AC} / 50 - 60 Hz
Operating pressure	0,5 - 8 bar
Max. Water temp	70 °C
IP rating of PCB	IP 55

All measurements are in mm. *Available only for version with integrated soap dispenser

For wall models, you can purchase a separate concealed mounting element with item number S02043001 for €49.95. See page 88 for more information.



MODEL:

Standard

Wall

PRODUCT INFORMATION: MISCEA LIGHT

FINISH OPTIONS	MODEL		DISPENSER BOX TYPE			DISPLAY		PRICE	ART. NR.
	Standard	Wand	None	Pouch	Bottle	DE	EN	€	
Stainless Steel	✓		✓					645,00	LER1SONC
	✓			✓		✓		845,00	LER1S11NCDE
	✓			✓			✓	845,00	LER1S11NCEN
	✓				✓	✓		895,00	LER1S21NCDE
	✓				✓	✓		895,00	LER1S21NCEN
		✓	✓					645,00	LER3SONC
		✓		✓		✓		845,00	LER3S11NCDE
		✓		✓		✓		845,00	LER3S11NCEN
		✓			✓	✓		895,00	LER3S21NCDE
		✓			✓	✓		895,00	LER3S21NCEN

FINISH OPTIONS

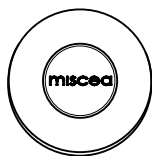
If you would like to place an order with different finishes from this model series, simply replace the color code in the second position of the product item number with your desired color code.

For example, in item number LER3S21NCEN, the **E** stands for the **Stainless Steel** finish. If you would like to order the same product in **Polished Gold** replace the **E** with **GP**. The item number would then be LGPR3S21NCEN.

The finishes shown here are for illustrative purposes only and may differ from the actual product.

							
COLOUR:	Polished Chrome	Matt Black	Matt White	Gun Metal	Antique Copper	Antique Gold	Polished Gold
CODE:	C	SM	WM	GM	KA	GA	GP
ADDED COST:	+0 EUR	+74,95 EUR	+74,95 EUR	+129,95 EUR	+129,95 EUR	+129,95 EUR	+295,95 EUR

Prices are exclusive of VAT, and shipping costs. Lead time for polished chrome / brushed stainless steel: approx. 2 - 4 weeks. Lead times for all other colour variants: approx. 6 - 8 weeks. Please inquire about the current delivery times at berlin@miscea.com.



DISPLAY:

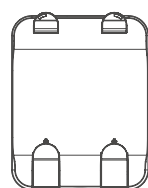
NO DISPLAY



GERMAN (DE)

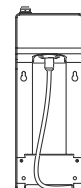


ENGLISH (EN)

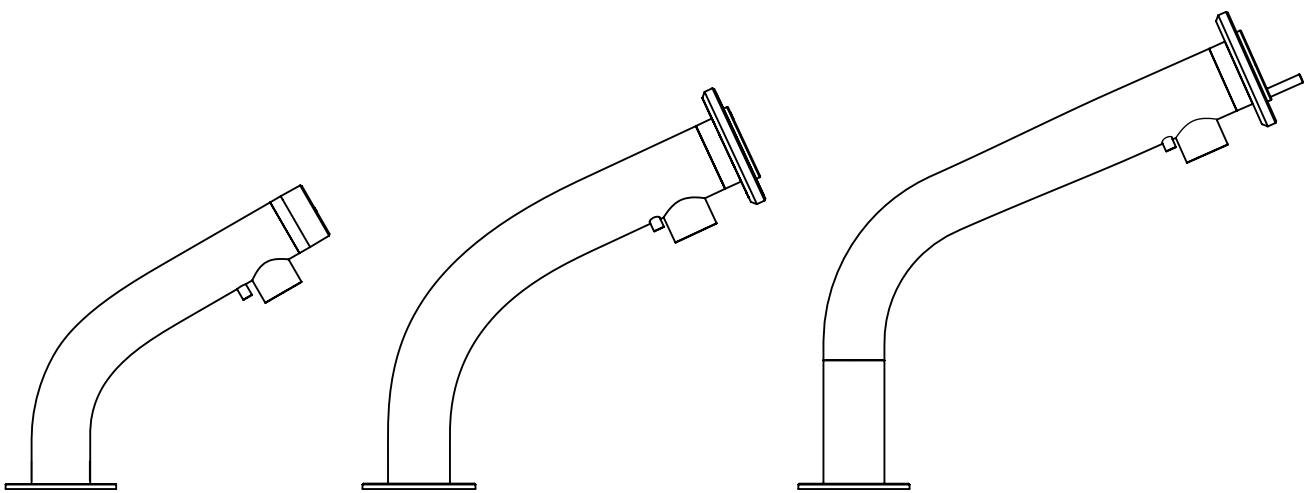


DISPENSER BOX TYPE:

FOR POUCHES



FOR BOTTLE



WATER HYGIENE MANAGEMENT



THE IMPORTANCE OF SAFE WATER IN HEALTHCARE SETTINGS

The water systems within buildings are often contaminated with particulate matter and microorganisms such as Legionella, Pseudomonas, E. coli, Mycobacterium and Cryptosporidium. These contaminants in the water system of medical facilities and other places where healthcare is provided, can be detrimental to the health of immunocompromised patients.

A patient may not even need to have used a water outlet to become infected. Pseudomonas for example, can be found on healthcare professionals hands when washed with contaminated tap water. When healthcare workers wash their hands with contaminated tap water, the transmission can occur with simple patient contact.

Using an effective inline water filter at the point of use such as the miscea Coldstream Filter System as a part of a water safety strategy can help to reduce the risk of nosocomial infections in healthcare settings.

Access to clean, safe drinking water is essential to public health.



Drinking water should not contain harmful micro-organisms, bacteria, cysts and viruses and it should be free from contamination of chemicals and heavy metals.



WHAT IS BIOFILM?

Biofilm is a layer of slime that can host harmful bacteria, amoeba, algae and other micro-organisms. In the right conditions, biofilm can develop quickly within water distribution networks even if the water meets drinking water criteria.

Thick biofilm can form on the surfaces inside water pipes under low flow conditions. Biofilm particles can break off and colonize in other parts of the water network which then makes it extremely difficult to eradicate once a water system is contaminated with biofilm.

WHAT IS IN YOUR WATER?

The water we drink should contain balanced levels of essential minerals, such as calcium, magnesium and potassium. It has been shown that these reduce cardiovascular disease and have other health benefits.

The water that comes out of faucets is sourced from lakes, rivers or deep underground. It is then treated and purified with various chemicals in water plants, where it then travels in large pipes underground to cities and buildings.

Here the water then often runs through narrow pipes which may have corroded inner surfaces and dead ends where the water could stagnate and warm up. These conditions are ideal for biofilm formation where bacteria and other harmful micro-organisms can survive and multiply.

EXPERIENCE THE MISCEA AQUALIBUR SYSTEM

EXPERTISE IN WATER QUALITY AND HYGIENE

Maintaining a safe water quality level within a building's plumbing network is an ongoing challenge for owners and facility managers. If not managed properly, especially if the water has been stagnant for prolonged periods, the water can become unsafe to drink or use and can pose a risk to public health.

With over 18 years in the industry, specialist expertise, in-house design, engineering and production, miscea GmbH delivers innovative solutions for your water safety and hand hygiene related needs.

miscea aqualibur was developed to efficiently keep the internal components of sanitary fittings clean, hygienic, and prevent waterborne contaminations caused by various factors.

The miscea aqualibur system enables **safe, discreet and automatic internal flush cycles**, and when required, also chemical disinfection of the waterline **without disturbing the immediate surroundings**.

PROBLEMS YOU CAN ENCOUNTER

- Corrosion of water pipes
- Biofilm build up
- Unsafe water temperatures
- Water stagnation
- Bacterial contamination
- Chemical contamination
- Other issues that can threaten the health of staff and everyone in your facility

PROBLEMS WITH CURRENT METHODS

- Labour intensive
- Risk of accidents or exposure to unsafe chemicals and aerosols
- Cost intensive
- Inefficient
- Disruptive to daily operations

Biofilm may form on surfaces and can be prevalent in natural, industrial and hospital settings.



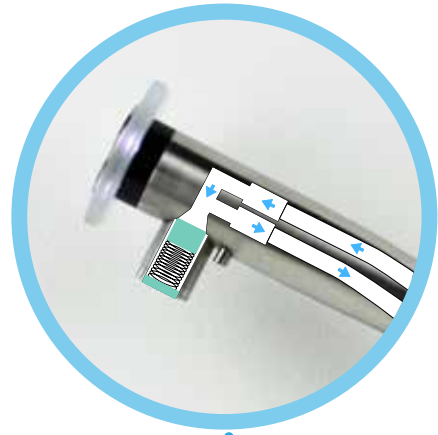
Image: Inside a regular water tube

“Regular flushes are the best protection against bacterial contaminations in premise networks” ~ Dr. Walter Dormagen, TÜV Rheinland

Dr. Dormagen recommends a weekly flushes at 70°C. The disadvantage, however, is the increased risk of scalding at the points of use. As a result, special measures must be taken to prevent injuries (Dormagen, 2012).

Safer water quality management

In contrast to regular taps, miscea aqualibur fittings enable water flushes to occur discreetly inside the fitting, without exposing occupants to potentially harmful aerosols, chemicals or hot water. The flushes reach all the way to the aerator in the tap outlet.



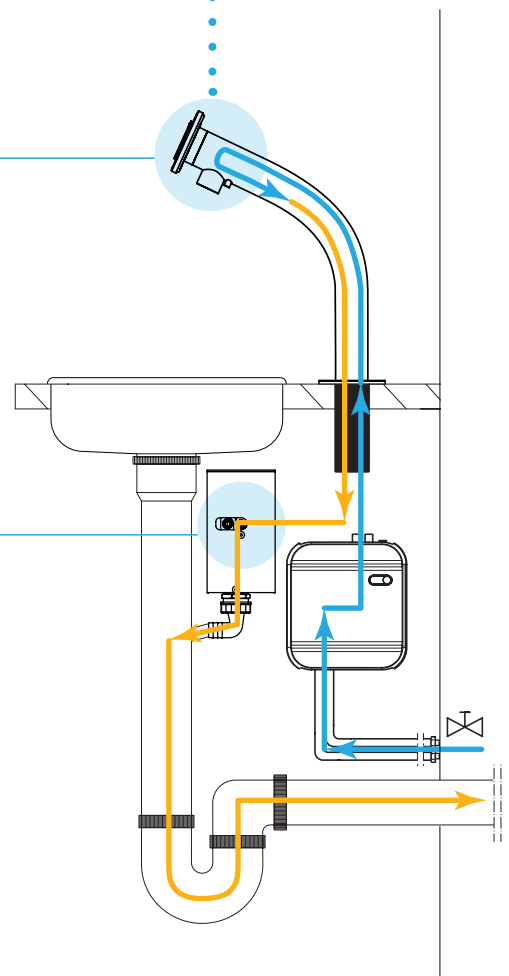
WHAT IS MISCEA AQUALIBUR TECHNOLOGY?

miscea aqualibur technology is the internationally patented water hygiene technology that prevents water stagnation, regressive contamination, and the formation of biofilm in sanitary fittings. The technology consists of the following components:

Inline Circle System (ICS) – a special valve built into the sanitary fitting that allows scheduled flushes, cleaning, and disinfecting the fitting to occur internally. The purged water flows directly into the aqualibur HyDrain. During thermal disinfection, fittings can be blocked from usage or switch to a safe water temperature and release for use only when the water reaches a safe temperature. During chemical disinfection, fittings are blocked from use.

aqualibur Hygienic Drain (HyDrain) – has an unobstructed free outlet developed according to DIN EN 1717 and features overflow sensors. The HyDrain prevents regressive contamination of the system and automatically blocks the system from use if the overflow sensor comes in contact with water.

The miscea aqualibur system is a comprehensive solution for water quality control within a premise plumbing network. The system works to firstly prevent bacterial outbreaks in water systems within a facility and to secondly enable effortless disinfection of the system in case of bacterial outbreaks.



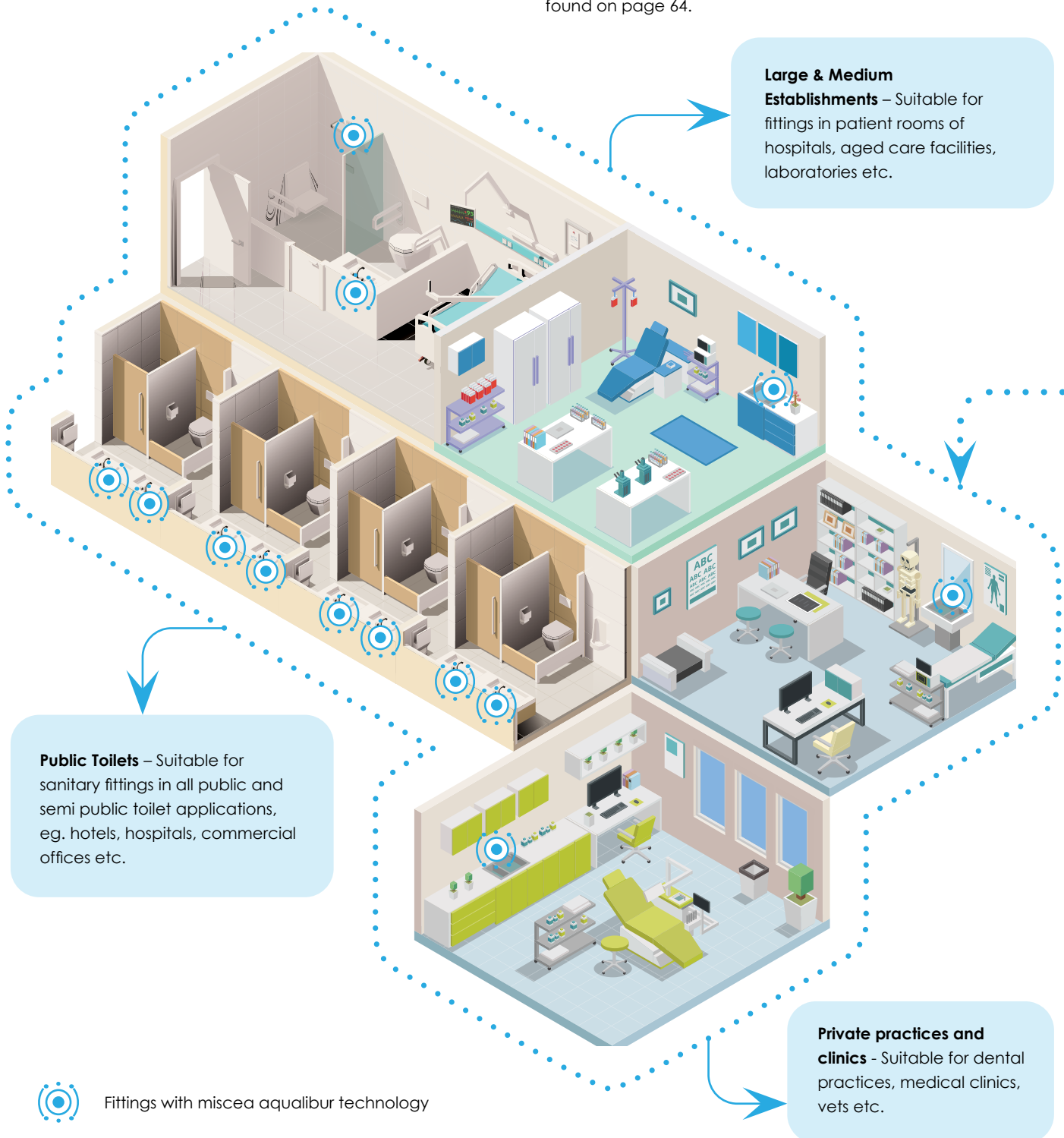
PRODUCT INFORMATION: MISCEA AQUALIBUR SYSTEM

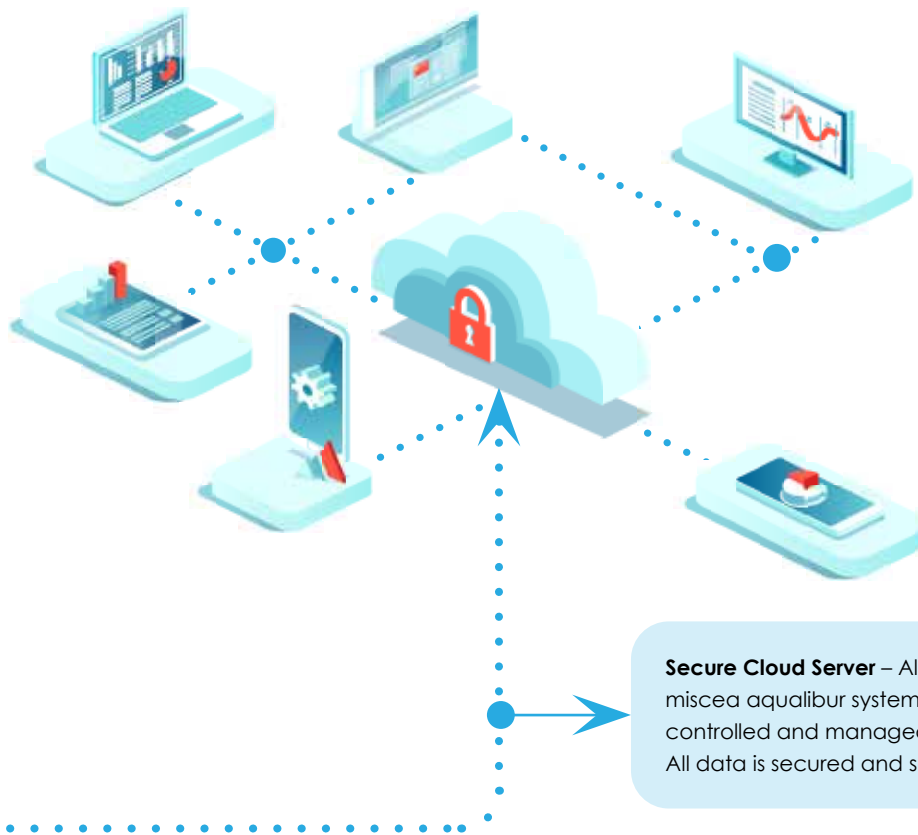
MISCEA AQUALIBUR SANITARY FITTINGS NETWORK

Sanitary fittings with the miscea aqualibur system are equipped with a Wi-Fi and Bluetooth module that can be controlled via the miscea Connect App - the web-based application from miscea that is connected to a secure cloud server.

The miscea Connect App enables centralized control and management of sanitary fittings within a facility, while also providing necessary documentation in accordance with regulatory requirements.

More information about the miscea Connect App can be found on page 64.





Remote access with **any device**, at **any time**, and from **any location**.

Secure Cloud Server – All sanitary fittings with the miscea aqualibur system in a building can be centrally controlled and managed via the miscea Connect App. All data is secured and saved for up to 6 years.

By using miscea aqualibur systems within a facility, a network of smart fittings is created and the foundation for a centralized management and control system is established.

Once this network of smart fittings is connected to the miscea Connect App, the water quality within the facility can be more efficiently managed.

Benefit from many advantages with the miscea aqualibur system.

REDUCE MAINTENANCE COSTS

- Reduction in time-, labour-, and cost-intensive manual flushing procedures
- Reduction in payroll expenses
- Reduction in water costs

REDUCE RISK AND COMPLY WITH LEGAL REQUIREMENTS

- Reduce organisational risk
- Compliance to applicable regulations

PROACTIVE APPROACH VS. REACTIVE APPROACH

- More efficient implementation of water safety plan even in low use periods
- Continuous and cost effective water quality monitoring
- Minimal downtime and disruptions to daily operations

SAFER SURROUNDING ENVIRONMENT

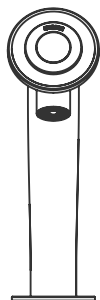
- Thermal- and chemical disinfection procedures safer to perform
- No risk of exposure to contaminated water droplets or aerosols created during flushing procedures
- Ensures high quality water is always available at all points of use, even in low use locations

SUSTAINABLE SOLUTION

- Paperless documentation
- Reduction in water wastage

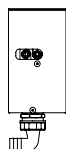
PRODUCT INFORMATION: MISCEA AQUALIBUR

MAIN SYSTEM COMPONENTS:



MISCEA FAUCET

+



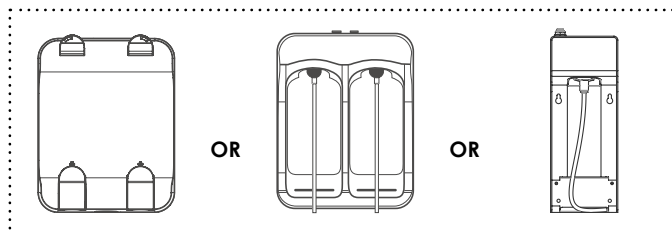
HYDRAIN

+



WATERBOX + WIFI AND BLUETOOTH

OPTIONAL DISPENSER BOX



FOR POUCHES

OR

FOR BOTTLES

OR

FOR BOTTLE 1x1L

DESCRIPTION

miscea sensor faucet with touch free water temperature controls, fitted with miscea aqualibur water hygiene system. Options for integrated soap and disinfectant dispensers available.

FEATURES

- Electronic faucet with touch free water temperature controls
- Automatic internal flushing for prevention of waterborne bacteria. Cycles adjustable with the miscea remote control or miscea Connect App (sold separately).
- miscea HyDrain - prevents retrograde contamination of the system and overflow.

SPECIFICATIONS

Voltage	24 V _{DC}
Input voltage	100 ~ 240 V _{AC} / 50 - 60 Hz
Operating pressure	0,5 - 8 bar
Max. water temp	70 °C
IP rating of PCB	IP 55

INCLUDED

- miscea faucet fitted with miscea aqualibur technology. Select between the following miscea faucet models:
 - CLASSIC / KITCHEN**
- Compatible with the miscea Connect App (available separately. See page. 65)
- Waterbox Gen 4 with WiFi and Bluetooth
- miscea HyDrain
- *Dispenser box
- *miscea Liquids
- Stainless steel braided hoses for hot and cold water connections (850 mm)
- Power plug (Cable length 1800 mm)
- 1 x Installation kit
- 1 x Instruction manual

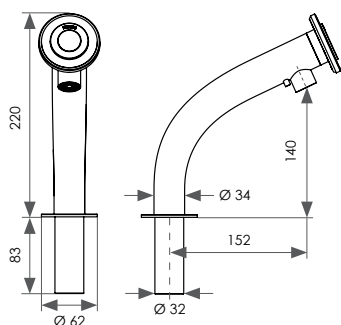
ORDERING MISCEA CONNECT TECHNOLOGY

miscea Connect technology is available as an option for miscea systems in the CLASSIC and KITCHEN series and costs a one-time fee of **€50**, including unlimited use of the miscea Connect app. To order miscea Connect, **add the letter „C“ to the end of the item number** (e.g., CAER1S1NCDE instead of CAER1S1NCDEC).

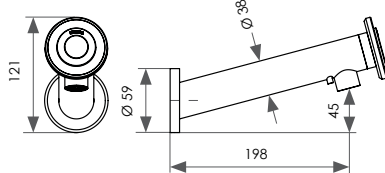
All measurements are in mm. *Available only with selected models.

MODEL / DIMENSIONS:

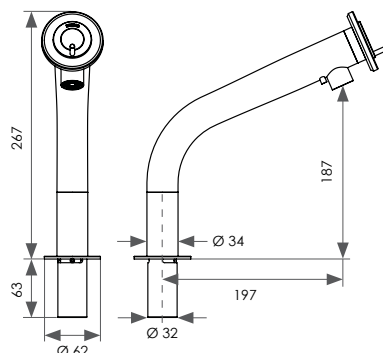
For wall models, you can purchase a separate concealed mounting element with item number S02043001 for €49.95. See page 88 for more information.



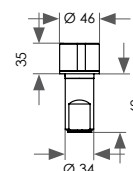
CLASSIC Standard



CLASSIC Wall


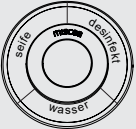


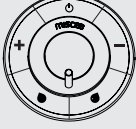



KITCHEN Standard



Water flow regulator

PRODUCT INFORMATION: MISCEA AQUALIBUR

MODEL / DISPLAY	ART. NR.	FINISH OPTIONS	MODEL			DISPENSER BOX TYPE	ACCESSORIES			FUNCTIONS	PRICE €		
			Stainless Steel	Standard	Wall		Kitchen Standard	Water flow regulator	Water temperature control			Integrated Soap	Integrated Disinfectant
	*CAER1S1NCDE	✓	✓				✓		✓	✓	✓	✓	1.395,00
	*CAER1S2NCDE	✓	✓				✓		✓	✓	✓	✓	1.495,00
	*CAER3S1NCDE	✓		✓			✓		✓	✓	✓	✓	1.395,00
	*CAER3S2NCDE	✓		✓			✓		✓	✓	✓	✓	1.495,00
	*CAER1S1NCDETO	✓	✓				✓		✓	✓	✓	✓	1.295,00
	*CAER1S2NCDETO	✓	✓				✓		✓	✓	✓	✓	1.395,00
	*CAER3S1NCDETO	✓		✓			✓		✓	✓	✓	✓	1.295,00
	*CAER3S2NCDETO	✓		✓			✓		✓	✓	✓	✓	1.395,00
	CAER1NC	✓	✓				✓		✓		✓		1.095,00
	CAER3NC	✓		✓			✓		✓		✓		1.095,00
	CAER1S1NC	✓	✓				✓		✓	✓	✓	✓	1.195,00
	CAER1S2NC	✓	✓				✓		✓	✓	✓	✓	1.245,00
	CAER3S1NC	✓		✓			✓		✓	✓	✓	✓	1.195,00
	CAER3S2NC	✓		✓			✓		✓	✓	✓	✓	1.245,00
	KAER4S1NC	✓			✓		✓		✓	✓	✓	✓	1.595,00
	KAER4S2NC	✓			✓		✓		✓	✓	✓	✓	1.695,00
	KAER4S1NC0	✓			✓		✓		✓	✓	✓	✓	1.495,00
	KAER4S2NC0	✓			✓		✓		✓	✓	✓	✓	1.595,00
	KAER4NC	✓			✓		✓		✓		✓	✓	1.395,00
	KAER4NC0	✓			✓		✓		✓		✓	✓	1.295,00

Prices are exclusive of VAT, and shipping costs. *Alternative display language in German and French available upon request.

FINISH OPTIONS

If you would like to place an order with different finishes from this model series, simply replace the color code in the second position of the product item number with your desired color code. For example, in item number CAER1S1NCDE, the **E** stands for the **Stainless Steel** finish. If you would like to order the same product in **Polished Gold** replace the **E** with **GP**. The item number would then be CAGPR1S1NCDE. The finishes shown here are for illustrative purposes only and may differ from the actual product.

							
COLOUR:	Polished Chrome	Matt Black	Matt White	Gun Metal	Antique Copper	Antique Gold	Polished Gold
CODE:	C	SM	WM	GM	KA	GA	GP
ADDED COST:	+0 EUR	+74,95 EUR	+74,95 EUR	+129,95 EUR	+129,95 EUR	+129,95 EUR	+295,95 EUR

Prices are exclusive of VAT, and shipping costs. Lead time for polished chrome / brushed stainless steel: approx. 2 - 4 weeks. Lead times for all other colour variants: approx. 6 - 8 weeks. Please inquire about the current delivery times at berlin@miscsa.com.

PRODUCT INFORMATION: MISCEA CONNECT APP



EXPERIENCE THE MISCEA CONNECT APP

MISCEA CONNECT WEB APP

With the miscea Connect App, fittings can be set to perform automatic flushes based on conditions defined by the user, such as:

- at specific time intervals
- after a period of time the fitting has not been in use
- when the water reaches a certain temperature

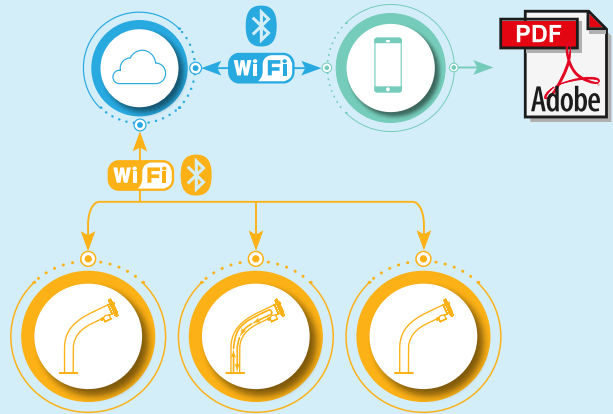
Stagnation prevention requirements can vary from one facility to another, and even from one point of use to another. However, with the miscea Connect App, flushing can be programmed according to individual Water Safety Plans. Flush programs can be set:

- for defined groups (e.g. by floor, department, room)
- for all taps within a facility
- if required, specifically for each individual fitting



miscea Connect App

The miscea Connect App can easily generate flush protocols in PDF format with detailed information on date, time, flush duration, quantity and water temperature.



miscea aqualibur network of sensor faucets

miscea sensor faucets with aqualibur technology are equipped with a Wi-Fi module to form a network that can be controlled via the web-based application, miscea Connect App.

REAL TIME DATA LOGGING OF IMPORTANT PARAMETERS

- Automatic, instant, accurate, detailed insight
- Prevents human error associated with manual flush implementations
- Flush logs documented according to legal requirements
- On demand reporting
- All measurement data available at a glance and easy to use

CENTRALIZED MANAGEMENT AND CONTROL

- Remote access and control of sanitary fitting network
- Real time automatic logging of various usage data, flushes, and disinfection values
- Continuous 24/7 monitoring of water parameters
- Secure cloud server with SSL encryption

A one time payment of 50€ enables access to the miscea Connect technology and unrestricted use of the miscea Connect App.

It can be ordered as an option when purchasing a miscea system from the CLASSIC, CLASSIC Pure or KITCHEN series. Simply add the letter "C" to the end of the article number when ordering.

For example, if you order the CER3S2NCDE system, you cannot use the faucet with the miscea Connect App.

If you order CER3S2NCDEC instead, you can use miscea Connect technology together with the miscea Connect App free of charge.

EXPERIENCE THE MISCEA COLDSTREAM FILTER SYSTEM

Water infrastructures around the world vary in their effectiveness to provide clean, safe drinking water. In many developed countries, drinking water is one of the best controlled substances around. However, even in countries with advanced water sanitation and temperate climates, drinking water supplies can contain particles and microorganisms such as Pseudomonas, E. coli, mycobacteria and cryptosporidia. These are environmental bacteria that occur naturally in small numbers in freshwater and groundwater.

Under certain conditions, these waterborne pathogens can quickly multiply and pose significant health risks to everyone who unknowingly use the contaminated water. The consequence of prolonged exposure to these contaminants are acute (short-term) and chronic (long-term) health problems.

The ideal temperatures for these bacteria to proliferate are between 25 and 55 degrees Celsius. Stagnation in the pipeline network can also lead to increased bacterial counts in drinking water. Inferior materials used in pipes and water fittings also serve as a breeding ground.

For this reason, it is particularly important in healthcare facilities to ensure the quality of the drinking water and to protect patients and staff from the transmission of pathogens with infectious properties.

The miscea Coldstream Filter System is installed directly at the point of use in the water network. This ensures that impurities and bacteria are removed from the drinking water immediately before it is used. By using the miscea Coldstream filter system, you can pro actively safeguard your drinking water and protect your health.





HEAVY METALS
99.9% removal of heavy metals incl. Lead and Mercury.



BACTERIA
99.9% removal of bacteria and cysts* like E. coli, Shigella, Cryptosporidium and Giardia.



CHEMICALS
99.9% removal of volatile organic chemicals*, nitrates, nitrites, chlorine and Chloramine.



VIRUS
99.9% removal of viruses and disease-causing micro-organisms, like Rota-virus.



PARTICLES
99.9% removal of particle class 1, incl. Microplastics.



PESTICIDE & HERBICIDES
99.9% removal of pesticides and herbicides, incl. DDT.



SCALE INHIBITOR
Effectively inhibits scale in hard water areas*



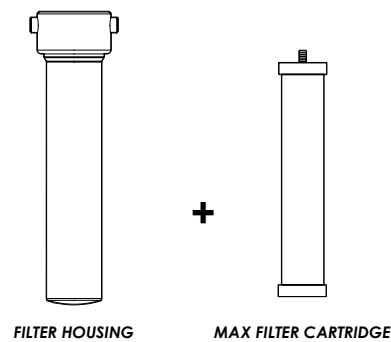
PHARMACEUTICALS
99.9% removal of pharmaceuticals

*For testing information and the full list of contaminants the miscea Coldstream Max Filter offers protection against, please contact miscea at info@miscea.com for the product data sheet.

MISCEA COLDSTREAM FILTER SYSTEM FOR MANUAL FAUCETS

The miscea Coldstream Filter System is an inline water filter system that consists of a ceramic water purifier cartridge encased in a stylish, high-quality, stainless steel housing. It is a single stage water filter that is installed directly under the sink and can be connected to your miscea sensor faucet system for clean, safe, and healthy water.

Using 3 layers of filtration in a single cartridge, the miscea Coldstream Max Filter effectively and simultaneously protects against over 70 known water contaminants.



MISCEA COLDSTREAM FILTER SYSTEM FOR MISCEA SENSOR FAUCET SYSTEMS

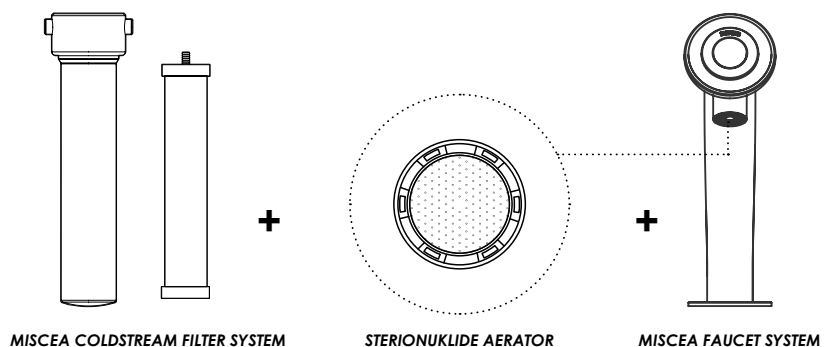
Combine the miscea Coldstream Filter System with the automatic flush function of miscea sensor faucet systems to ensure the ultimate protection at the extraction point.

+ ANTIBACTERIAL STERIONUKLIDE AERATOR

The Sterionuklide aerator has antibacterial properties to protect the water outlet from contamination. It only needs to be changed every 5 years.

+ MISCEA AUTOMATIC FLUSH FUNCTION

miscea sensor faucet systems have an inbuilt safety feature to protect against the growth of waterborne bacteria. If the system has not been used for 14 days, an automatic flush cycle will initiate. This helps to prevent the growth of bacteria inside the faucet usually associated with stagnant water.



PRODUCT INFORMATION: COLDSTREAM FILTER SYSTEM



DESCRIPTION

Under counter water filter system from miscea Coldstream with filter housing made of high quality stainless steel and antibacterial sterionuklide aerator for miscea sensor fittings. **(miscea Max Coldstream filter cartridges sold separately).**

FEATURES

- High quality stainless steel case
- *Antibacterial Sterionuklide aerator

INCLUDED

- miscea Coldstream stainless steel filter housing
- 3/8" connector for steel braided hose
- Filter mounting bracket
- 3/8" Steel braided hose
- Insulator case
- *key tool for removal of miscea aerator
- *key tool for removal of miscea water outlet
- *antibacterial Sterionuklide aerator + key
- *miscea aqualibur water outlet (stainless steel) + key
- Installation set
- User Manual

*Not available with miscea Coldstream Filter System Basic Set for manual faucets (Article Nr.: S02078001)

FINISH OPTIONS:

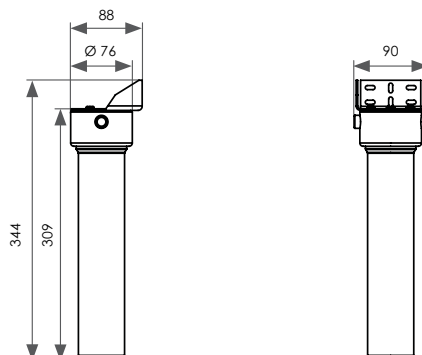


Stainless steel

SPECIFICATIONS

Operating pressure range	0,6 – 8,6 bar
Rated capacity	6000 L
Operating Temperature range	5°C – 70°C
Rated flow	2,5 - 4,5 L/min

All measurements in mm.



MODEL: ***miscea Coldstream Filter***

DESCRIPTION	PRICE €	ART. NR.
miscea Coldstream Filter System Single Starter Set for sensor fittings	275,00	S02076001
miscea Coldstream Filter System Double Starter Set for sensor fittings	495,00	S02077001
miscea Coldstream Filter System Basic Set for manual fittings	255,00	S02078001

PRODUCT INFORMATION: COLDSTREAM FILTER CARTRIDGE



DESCRIPTION

The miscea Coldstream Max filter cartridge offers the highest level of protection against water pollutants and waterborne viruses. The ceramic in the filter has a complex porous structure made from a range of naturally occurring materials in the earth. Each layer in the filter is designed to protect against different contaminants in the water.

1. The inner carbon core protects against chemical contamination, including pesticides and herbicides through the process of adsorption. Adsorption is the adhesion of atoms, ions, or molecules from a gas, liquid or dissolved solid to a surface
2. Surrounding this is a unique white ceramic middle layer that removes particles and microplastics through entrapment and it also provides maximum anti-bacterial protection.
3. The outer layer is the duck egg blue ceramic containing antimicrobial properties, which helps to eradicate any waterborne pathogens.

Please replace the filter cartridge every 6 months.

FEATURES

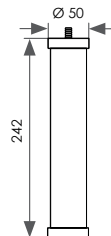
- Protects against over 70 known types of water pollution
- Works without electricity
- Healthy salts and electrolytes stay in the water
- Maximum protection against water pollutants

INCLUDED

- 4 x miscea Max Coldstream Filter Cartridges
- User Manual

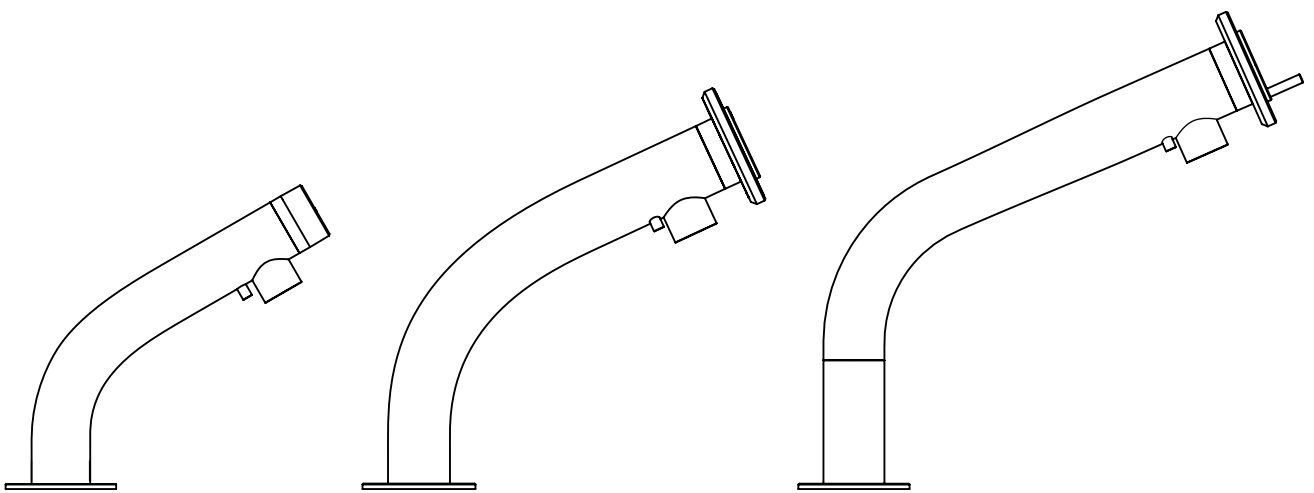
*For testing information and the full list of contaminants the miscea Coldstream Max Filter offers protection against, please contact miscea at info@miscea.com

All measurements in mm.



MODEL: *miscea Coldstream Max Filter Cartridge*

DESCRIPTION	PRICE €	ART. NR.
miscea Coldstream Max Filter Cartridge 4 Pack	195,00	S02079001
NOTE: must be ordered in addition to the miscea Coldstream Filter System Sets		



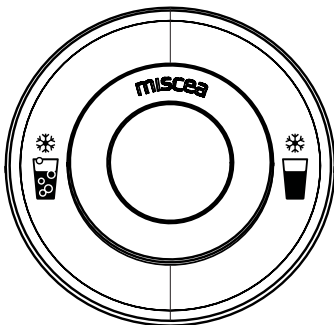
DRINKING WATER APPLIANCES & ACCESSORIES

EXPERIENCE THE MISCEA AQUAMORE SYSTEM

ENJOY WATER DIRECT FROM YOUR FAUCET LIKE NEVER BEFORE

Like magic, the new miscea aquamore System will give you pure, fresh, still, and sparkling water with a simple wave of your hand. It is the first completely touch free and hygienic sparkling water faucet system of its kind that features miscea aqualibur Technology to safeguard drinking water against bacterial contamination.

Made from 100% medical grade stainless steel, the sleek contemporary faucet design of the miscea aquamore faucet makes it a stylish addition to any kitchen, bar, entertainment area or semi-public establishments. Experience the healthy, safe and environmentally friendly alternative to bottled water with the new miscea aquamore range.



MISCEA AQUAMORE DUO

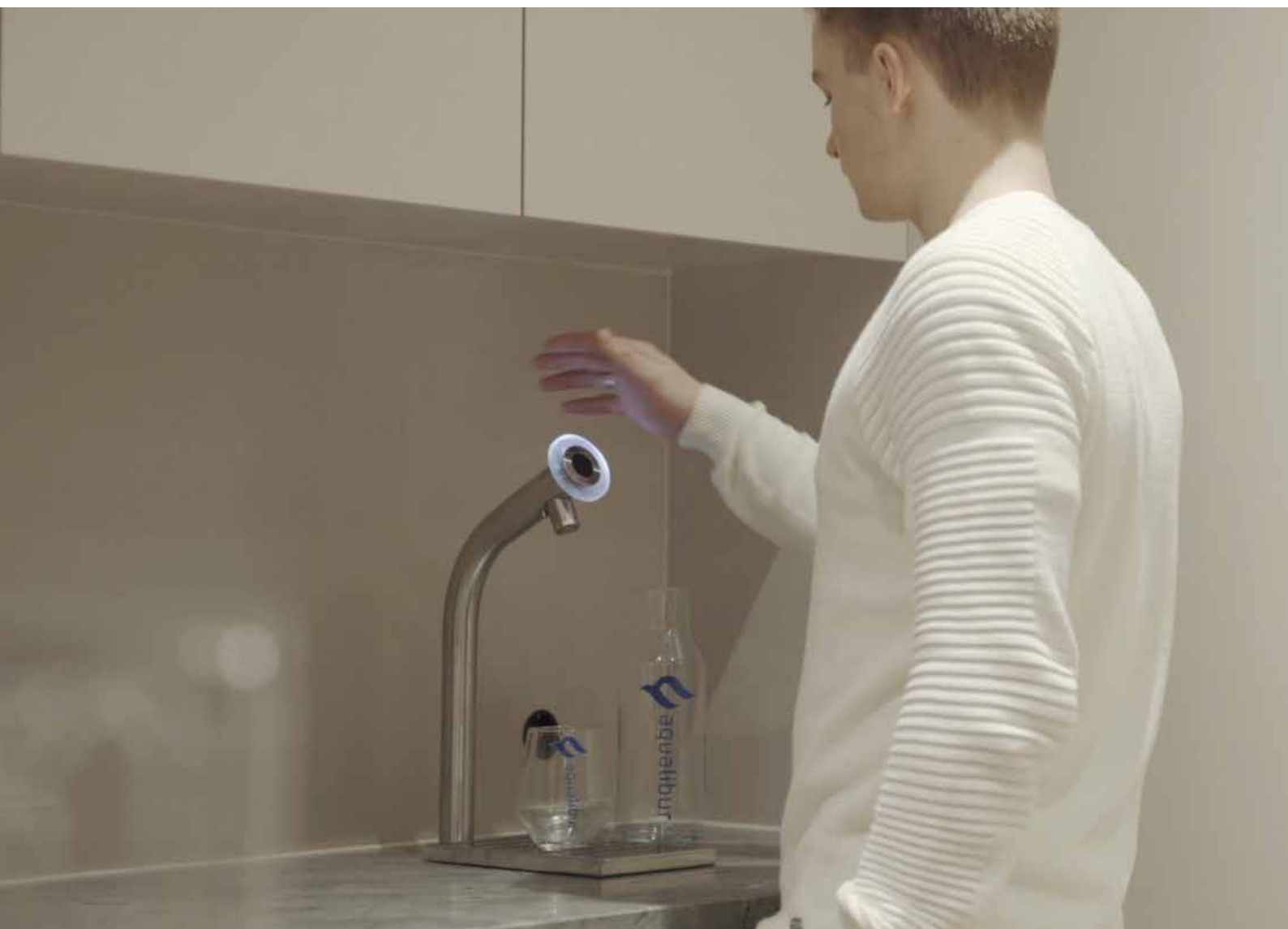
The miscea aquamore Duo System has two chilled and filtered beverage options:

- still water
- sparkling water





PRODUCT INFORMATION: MISCEA AQUAMORE SYSTEM



TRULY HYGIENIC, CONTACTLESS SPARKLING WATER.

The miscea aquamore System is the first truly contactless, hygienic, and possibly the most elegantly designed sparkling water faucet on the market. Whether at home, the office or in any commercial setting such as a hotel, restaurant, or hospital, the abundance of high-touch surfaces and objects make it easy for people to inadvertently transmit illness-causing pathogens from one surface to another. Enjoy proper hydration with the miscea aquamore System for reliable, instant, and completely touch free access to clean, great tasting, still, sparkling, and flavoured water options.

ENJOY COST SAVINGS WITH MISCEA AQUAMORE.

Using miscea aquamore Systems means several costs associated with using bottled water systems can all be avoided, including high purchasing costs as well as transport, storage, maintenance, and disposal costs.

ENJOY ENDLESS HYDRATION WITH MINIMAL EFFORT.

Using bottled water systems means on-site storage space for full and used bottles is required. Depending on the services offered, there must always be someone on site for scheduled pick-ups or deliveries.

The miscea aquamore System eliminates the need for any on-site storage. The entire system is compact, fits underneath the sink cabinet and designed to ensure an endless supply of great tasting drinking water direct from the faucet.

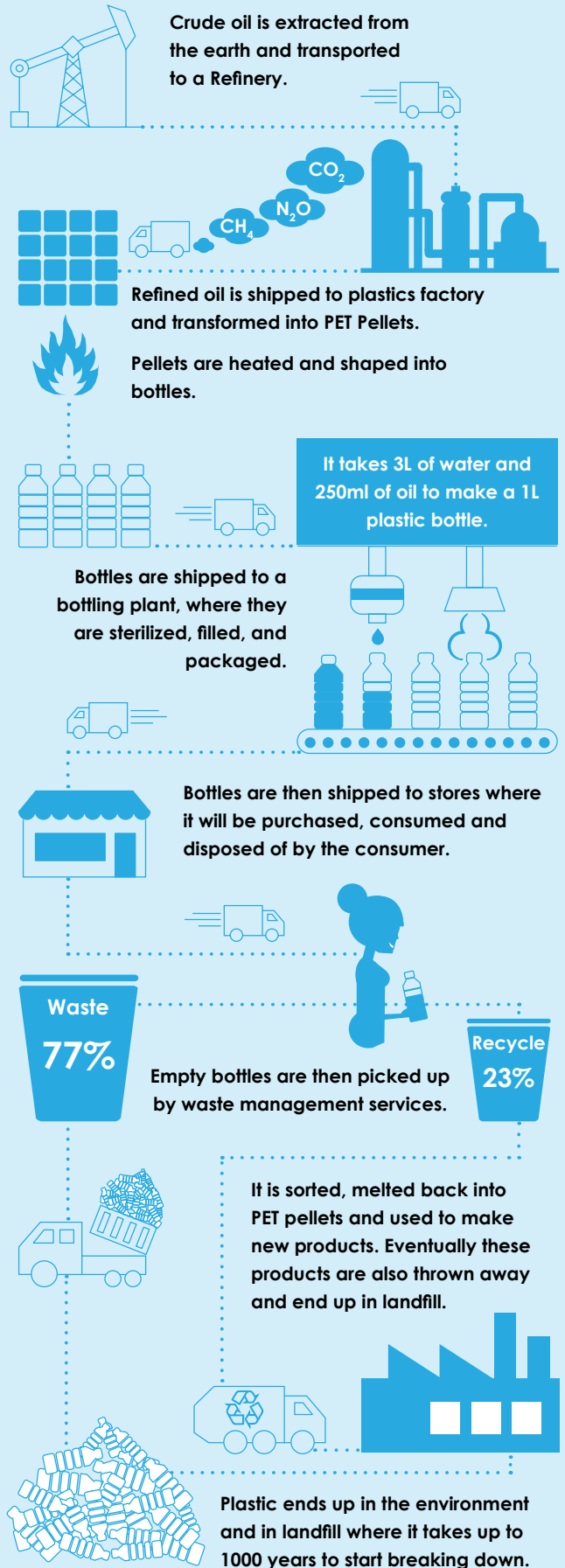


ENJOY SAFE AND HEALTHY WATER SUSTAINABLY.

The life cycle of a water bottle from beginning to end, requires a range of manufacturing, distribution, and disposal processes. During each of these stages, harmful greenhouse gases are released into the environment as large amounts of scarce resources are used to create, store, and transport the bottles. In short, the use of bottled water is environmentally damaging, wasteful, and simply unsustainable.

The miscea aquamore System connects directly to your building's water source and filters the water at the point of use for safe, clean, and healthy water. This reduces not only the waste created from using bottled water but also the production and distribution pollution associated with bottled water.

THE LIFE CYCLE OF A PLASTIC BOTTLE

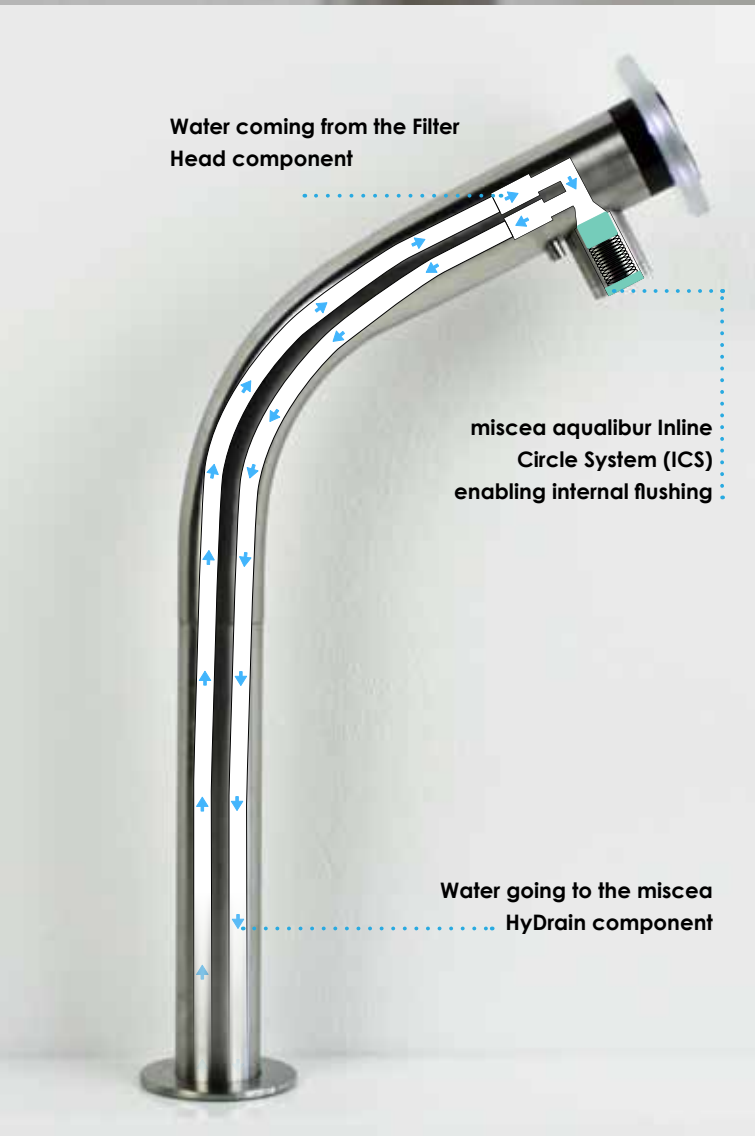


PRODUCT INFORMATION: MISCEA AQUAMORE SYSTEM



SELF CLEANING SYSTEM WITH INTELLIGENT WATER HYGIENE TECHNOLOGY FOR CLEAN, PURE, HEALTHY WATER

The miscea aquamore System not only reduces the potential for cross contamination through the use of advanced sensor technology, it also features a number of smart water hygiene technologies that help to keep the system fresher and cleaner for longer.

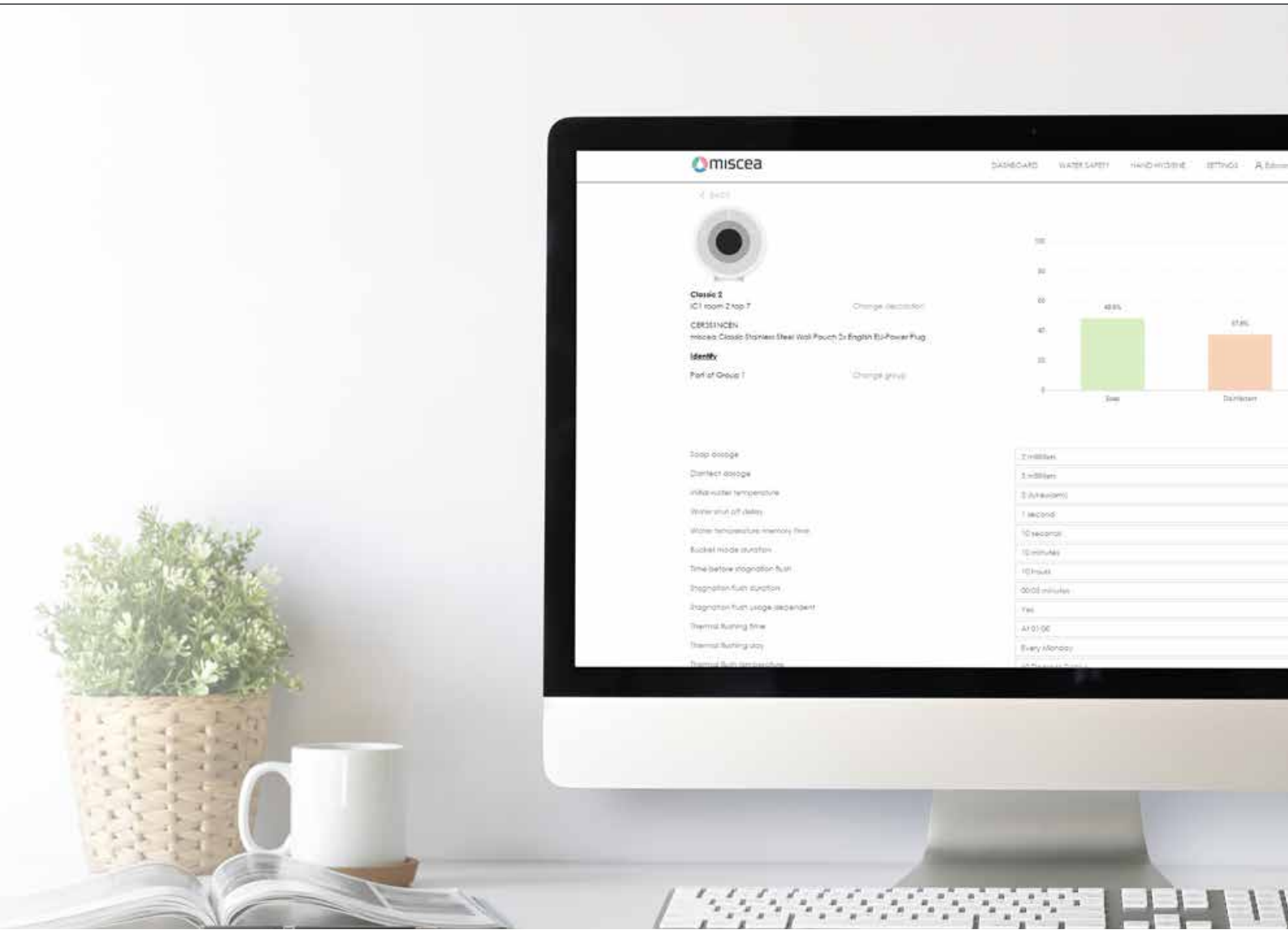


+ MISCEA AQUALIBUR WATER HYGIENE TECHNOLOGY

This state-of-the-art technology uses the patented Intelligent Filter Head (IFH), the Inline Circle System (ICS) and the miscea HyDrain to efficiently keep the internal components of water faucets clean, hygienic, and prevent waterborne contaminations caused by stagnant water.

These core components together enable safe and automatic internal flush cycles, and when required, also chemical disinfection of the waterline to occur without disturbing the immediate surrounding.

Enjoy completely automatic internal flush cycles for contamination free water.



+ ANTIBACTERIAL AERATOR

This special aerator has antibacterial properties to protect the water outlet from contamination. It only needs to be changed once every 5 years.

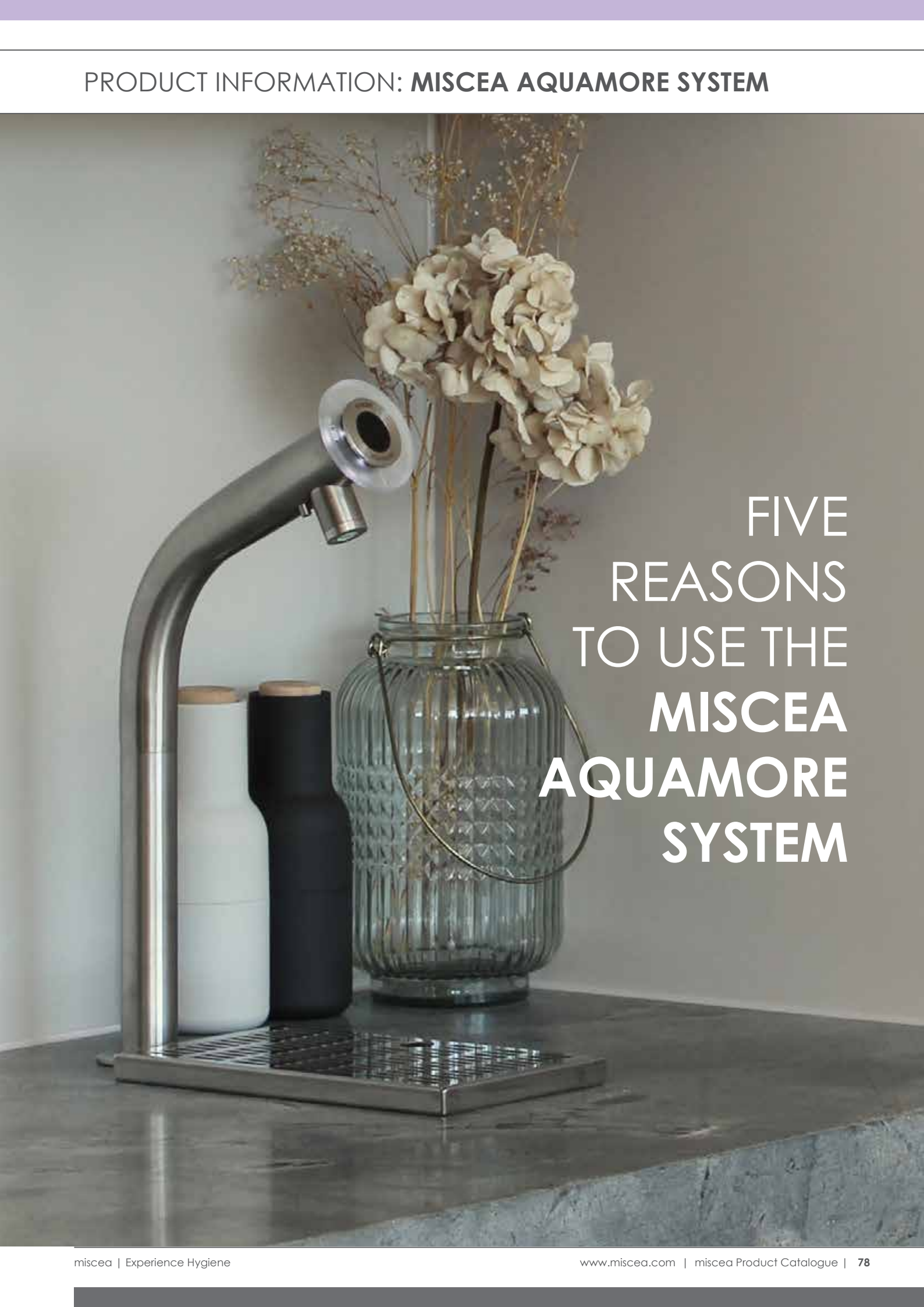
+ WATER FILTER

Leaving behind only essential salts and electrolytes for safe, healthy, and great tasting water, the miscea aqualibur Water Filter is cost-effective, filters 100% of water used, and removes 99,99% of various water impurities.

+ CENTRALIZED MANAGEMENT

Optionally available for management and configuration of all faucets fitted with miscea aqualibur Technology is the miscea aqualibur Web Based Application – an easy to use online platform that collects data through a Wi-Fi or Bluetooth connection, from every faucet using miscea aqualibur Technology on the premises.

Enquire at info@miscea.com for more information.

A modern, minimalist coffee machine with a curved stainless steel frame and a white water reservoir. It is placed on a dark, textured surface. To its right is a clear glass vase with a metal handle, containing dried white flowers and greenery. The background is a plain, light-colored wall.

FIVE
REASONS
TO USE THE
MISCEA
AQUAMORE
SYSTEM

**1****EXPERIENCE THE TRULY HYGIENIC DRINKING WATER SYSTEM**

Hygienically access instant, fresh, filtered water with the completely contactless miscea aquamore sensor faucet system.

**2****ENJOY FRESHLY FILTERED WATER SUSTAINABLY**

Take a step forward towards a better and brighter future by avoiding the waste and pollution associated with bottled water.

**3****EASILY SAFEGUARD YOUR DRINKING WATER**

Effortlessly minimize the risk of microbial contamination in your drinking water through effective control of water stagnation with automated internal water hygiene flushing from miscea aqualibur Technology.

**4****REDUCE COSTS BY USING MISCEA AQUAMORE**

Eliminate unnecessary costs associated with bottled water and eliminate labour intensive water disinfection procedures.

**5****DISCOVER OUR RANGE OF AWARD WINNING FAUCET DESIGNS**

Experience clean and sleek sensor faucet designs from miscea to compliment any modern interior space.

PRODUCT INFORMATION: MISCEA AQUAMORE



100%
Contactless



Instant
Sparkling Water



Instant
Chilled Water



miscea aqualibur
Technology

DESCRIPTION

Hygienic drinking water system for chilled filtered still and sparkling water.

FEATURES

- Electronic faucet for still and sparkling water
- Faucet user interface made of high quality laser engraved glass
- Options include:
 - chilled filter still and sparkling water
- Hygienic touch free controls of all functions
- miscea aqualibur Technology:
 - ICS - automatic internal flushing technology for prevention of water-borne bacteria. Cycles completely adjustable with the miscea remote control or miscea Web App (sold separately).
 - miscea HyDrain - prevents retrograde contamination of the system and overflow.
 - Filter head and water filter
- Antibacterial Sterionuklide aerator

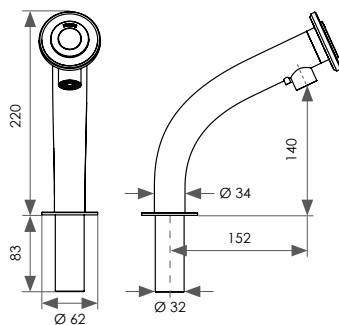
INCLUDED

- miscea aquamore **Duo** faucet
- Waterbox
- Stainless steel braided water connection hoses (850 mm)
- Filter Head
- aqualibur Filter
- 425g CO2 Tank
- Carbonator Unit
- miscea Hydrain
- Power plug (Cable length 1800 mm)
- 1 x Installation kit
- 1 x Instruction manual

SPECIFICATIONS:

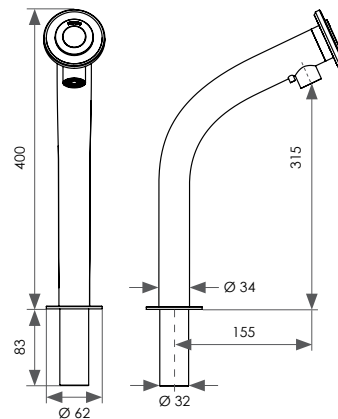
Please contact miscea GmbH at berlin@miscea.com

All measurements in mm. *Available only with version Quattro




MODEL:

miscea aquamore Standard



miscea aquamore Large

PRODUCT INFORMATION: MISCEA AQUAMORE

FINISH OPTIONS	MODEL		DISPLAY	PRICE	ART. NR.
	Standard	Large			
	✓		Duo	€	
		✓	✓	3.225,00	ADER1NC
			✓	3.440,00	ADER5NC

Stainless Steel

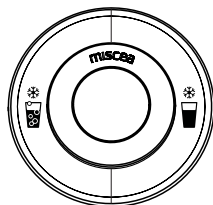
Prices are exclusive of VAT, and shipping costs

FINISH OPTIONS

If you would like to place an order with different finishes from this model series, simply replace the color code in the second position of the product item number with your desired color code. For example, in item number ADER5NC, the **E** stands for the **Stainless Steel** finish. If you would like to order the same product in **Polished Gold** replace the **E** with **GP**. The item number would then be ADGPR5NC. The finishes shown here are for illustrative purposes only and may differ from the actual product.

							
COLOUR:	Polished Chrome	Matt Black	Matt White	Gun Metal	Antique Copper	Antique Gold	Polished Gold
CODE:	C	SM	WM	GM	KA	GA	GP
ADDED COST:	+0 EUR	+74,95 EUR	+74,95 EUR	+129,95 EUR	+129,95 EUR	+129,95 EUR	+295,95 EUR

Prices are exclusive of VAT, and shipping costs. Lead time for polished chrome / brushed stainless steel: approx. 2 - 4 weeks. Lead times for all other colour variants: approx. 6 - 8 weeks. Please inquire about the current delivery times at berlin@miscia.com.



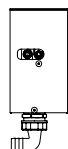
DISPLAY:

DUO

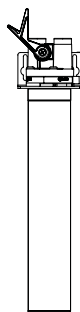
CORE SYSTEM COMPONENTS:



WATERBOX



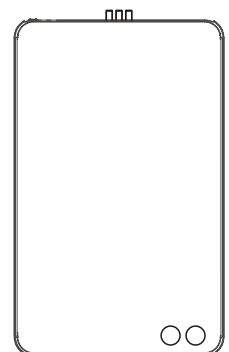
MISCEA HYDRAIN



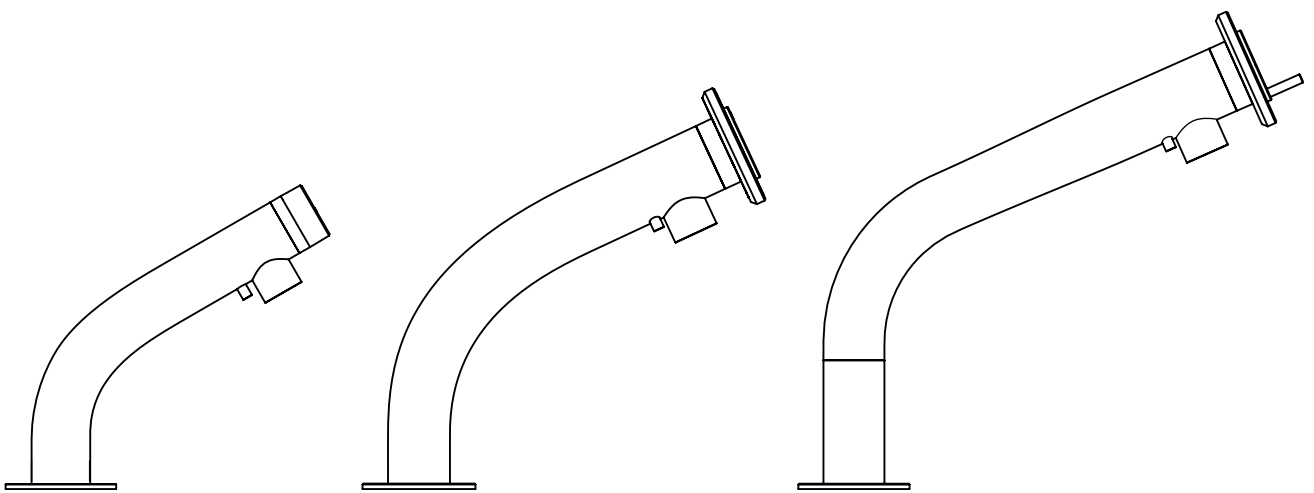
FILTER HEAD + FILTER



CO2 TANK



CARBONATOR



LIQUID REFILLS / ACCESSORIES

PRODUCT INFORMATION: LIQUID REFILLS



MISCEA SEPTASOL: HAND DISINFECTANT (AVAILABLE ONLY IN GERMANY)

DESCRIPTION:

For hygienic and surgical hand disinfection.

- Alcoholic disinfectant for hand disinfection
- Perfume-free
- Good skin compatibility

APPLICATION AREAS:

- Hygienic hand disinfection acc. VAH/DGHM/EN 1500
- Surgical hand disinfection acc. VAH/DGHM/EN 12791

INSTRUCTIONS FOR USE:

For hygienic hand disinfection, rub hands together with the solution and keep moist for 30 seconds. For surgical hand disinfection, the hands and forearms are rubbed with the solution and kept moist for 1.5 minutes.

REFILL TYPE	QUANTITY	PRICE €	ART. NR.
Pouch	6 x 1 L	95,95	S01043001
Bottle	6 x 1 L	95,95	S01044001



MISCEA ETHADES: HAND DISINFECTANT

DESCRIPTION:

For hygienic hand disinfection according to EN 1500 in healthcare facilities, laboratories, and other hygiene sensitive environments.

- Very good skin tolerability
- Color free and fragrance free

INSTRUCTIONS FOR USE:

For hygienic hand disinfection, rub hands together with the solution and keep moist for 30 seconds.

REFILL TYPE	QUANTITY	PRICE €	ART. NR.
Pouch	6 x 1 L	95,95	S01040001
Bottle	6 x 1 L	95,95	S01046001

PRODUCT INFORMATION: LIQUID REFILLS



MISCEA ECOSOAP: HAND WASH SOAP

DESCRIPTION:

Ecological, skin friendly, pleasantly scented liquid hand soap. miscea Eco Soap is enriched with skin protectors and has moisturizing properties which make miscea Eco Soap mild for the skin. miscea Eco Soap lathers into a light foam and can save up to 70% soap compared to conventional liquid hand soaps.

- Color free and pleasantly scented soap, pH skin neutral, biodegradable
- Minimal impact on the aquatic ecosystems

INSTRUCTIONS FOR USE:

Apply miscea ECOSOAP onto wet hands and lather into foam. Thoroughly massage into hands and then rinse under running water.



REFILL TYPE	QUANTITY	PRICE €	ART. NR.
Pouch	6 x 1 L	79,95	S01047001
Bottle	6 x 1 L	79,95	S01048001



MISCEA TUBE CLEANSE ACC. EN ISO 17664: PREPARATION SOLUTION FOR DISPENSER SYSTEM

DESCRIPTION:

miscea TubeCleanse is a ready-to-use cleaning solution for treating the soap and disinfectant tubes.

- Biodegradable, free of alcohol, phenols, aldehyde and quaternary ammonium compounds
- Good cleaning performance
- Natural detergents based on acids

INSTRUCTIONS FOR USE:

miscea TubeCleanse has been developed for the efficient cleaning and disinfection of miscea soap and disinfectant tubes and for the removal of biofilm and calcium deposits. The ready-to-use, treatment solution is pumped through the soap and disinfectant tubes as part of the liquid changing process. The exposure time for miscea TubeCleanse is 5 minutes.

IMPORTANT INFORMATION

The WHO recommends: "Dispensers must be thoroughly cleaned or disinfected before each liquid product change"

REFILL TYPE	QUANTITY	PRICE €	ART. NR.
Pouch	1 x 1 L	21,95	S01049001
Bottle	1 x 1 L	21,95	S01050001

PRODUCT INFORMATION: ACCESSORIES



MISCEA REMOTE CONTROL

DESCRIPTION:

The miscea Remote Control allows a number of settings on miscea sensor faucet systems to be adjusted. The full list of functions that can be adjusted is shown in the overview below.

SPECIFICATIONS

Weight	43 g
Battery Type	CR 2032
L x B x H	150 x 60 x 10 mm
Color	White with grey accents

FUNCTION / MODEL	CLASSIC	LIGHT	KITCHEN
Starting water temperature	✓	✗	✓
Water shut off delay time	✓	✓	✓
Dosage amount for liquids	✓	✓	✓
Water temperature memory time	✓	✗	✓
Duration of continuous water flow mode	✓	✓	✓
Duration of spool cycles	✓	✓	✓
Duration between spool cycles	✓	✓	✓
Light display and beep tone settings	✓	✓	✓
On / Off	✓	✓	✓
Hand Disinfect Timer	✓	✗	✗
Hand Wash Timer	✓	✗	✗
Manual Spool with Remote	✓	✓	✓
Automatic Flush at Power on	✓	✓	✓
End point filter mode	✓	✓	✓
Cleaning mode	✓	✗	✓
Sensitivity of IR settings	✓	✓	✓
Setting with instantaneous water heaters	✓	✗	✓

DESCRIPTION	PRICE €	ART. NR.
miscea Remote Control	99,95	S02002001



MISCEA WATER FLOW REGULATOR

DESCRIPTION:

Easily adjust the water flow of your miscea system. With the miscea water flow regulator, you can adjust the desired water quantity of your miscea faucet. Compatible with the miscea CLASSIC and miscea KITCHEN systems.

Dimensions	Value
Ø (mm)	46
H (mm)	35
Connection Ø (mm)	8
Weight (g)	708
Standard installation dimensions (mm)	35

DESCRIPTION	PRICE €	ART. NR.
miscea Water flow regulator (Polished chrome)	159,00	S02040001
miscea Water flow regulator (Stainless steel)	159,00	S02041001

PRODUCT INFORMATION: ACCESSORIES



MISCEA SYSTEMCARE SET

DESCRIPTION:

The miscea SystemCare set contains a combination of professional products designed to help keep miscea sensor faucet systems in top condition for reliable and uninterrupted performance. This set is available for both Pouch and Bottle refill systems. Each miscea SystemCare Set includes the following:

1 L MISCEA TUBE CLEANSE SOLUTION

Available in both pouch and bottle options, this TubeCleanse solution is designed to clean and disinfect the soap and disinfectant tubes.

1 x MISCEA REMOTE CONTROL

With the remote control, the miscea systems can be adjusted to user preferences.

1 x AERATOR + AERATOR KEY

Regular renewal of the aerator is recommended for hygienic reasons and ensures a clean and even stream of water flow.

1 x HIGH QUALITY MICRO FIBRE CLOTH

The high-quality, 35 cm x 35 cm microfibre cloth is suitable for the effective removal of fine dust and dirt particles without the use of aggressive chemicals.

1 x MISCEA FOAM GLOVE

A convenient and ready to use cotton glove soaked in an effective and high quality solution of surface disinfectant.

OTHER TOOLS

- 1 pc. Mini brushes for internal cleaning of the soap and disinfectant outlets
- 4 pcs. O-ring connection mandrel (only available with Dispenser box for pouches)

DESCRIPTION	PRICE €	ART. NR.
miscea SystemCare Set for use with Pouches	149,95	S02056001
miscea SystemCare Set for use with Bottles	149,95	S02057001
miscea SystemCare Set for use with Pouches without Remote	85,95	S02060001
miscea SystemCare Set for use with Bottles without Remote	85,95	S02061001

POWER DECALC VINEGAR DESCALER 5%

DESCRIPTION:

To descale the Waterbox



DESCRIPTION	PRICE €	ART. NR.
Power DeCalc Vinegar Descaler 5%	2,95	S02099001

BATTERY 9V

DESCRIPTION:

9V Battery for the Waterbox Gen 4



DESCRIPTION	PRICE €	ART. NR.
Battery 9V	3,95	K.03.069.001

PRODUCT INFORMATION: ACCESSORIES



PERLATOR SET

DESCRIPTION:

This kit includes 5 x cache aerators and 1 x installation key.

DESCRIPTION	PRICE €	ART. NR.
Perlator set Cache (CLASSIC/LIGHT) - Red	34,95	S02015001
Perlator set Cache (KITCHEN) - Blue	34,95	S02022001



WATER OUTLET AND DISPENSER OUTLET SET

DESCRIPTION:

- 1 pc. Water outlet
- 2 pc. Dispenser outlets
- 1 pc. Tool for the water outlet
- 1 pc. Tool for the dispenser outlets
- 1 pc. Perlator Cache (CLASSIC/LIGHT)
- 1 pc. Perlator installation tool

DESCRIPTION	PRICE €	ART. NR.
Outlet set Stainless steel	44,95	S02088001
Outlet set Polished Chrome	44,95	S02089001
Outlet set Matt Black	44,95	S02090001
Outlet set Matt White	44,95	S02091001
Outlet set Gun Metal	44,95	S02092001
Outlet set Copper Antique	44,95	S02093001
Outlet set Gold Antique	44,95	S02094001
Outlet set Polished Gold	44,95	S02095001



CONCEALED MOUNTING ELEMENT FOR WALL FITTINGS

DESCRIPTION:

Mounting element hidden behind the wall for fastening miscea wall mount faucets. The concealed mounting element enables easier installation of miscea wall mount faucets and also protects the faucet's electrical cables and dispenser tubes.

DESCRIPTION	PRICE €	ART. NR.
Concealed mounting element for wall fittings	49,95	S02043001

PRODUCT INFORMATION: ACCESSORIES



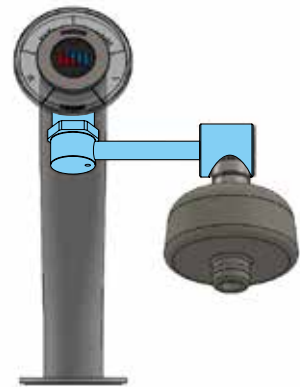
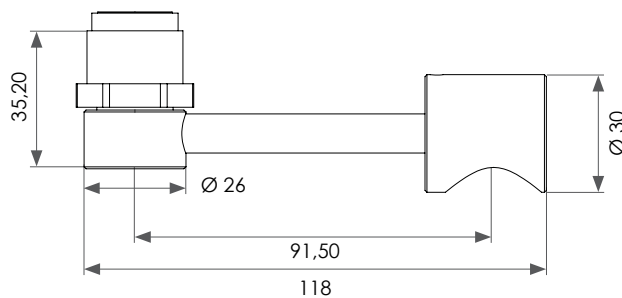
POINT OF USE FILTER ADAPTER

DESCRIPTION:

In areas where vulnerable and immunocompromised users may come in contact with water, such as in hospitals and nursing homes, additional control measures are used as part of an organizations water management program to maintain water quality.

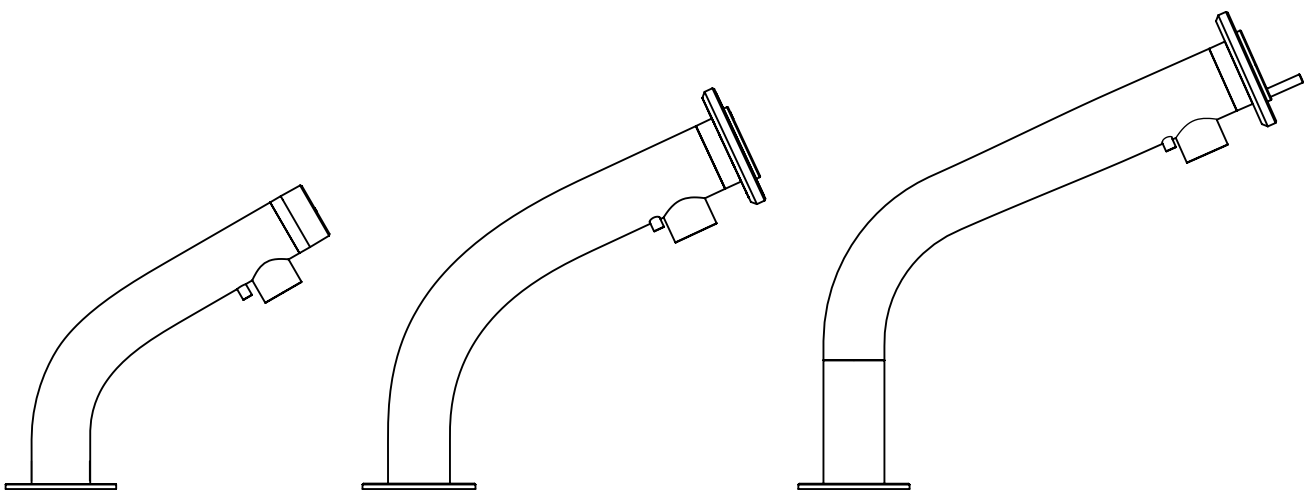
Often this may include point of use (POU) filters which are installed directly on the water outlet of faucets to provide an immediate barrier against waterborne pathogens. The miscea Point of Use Filter Adapter enables miscea sensor faucet systems to be used with POU filters from various manufacturers, such as PALL.

- miscea POU Filter Adapter is made of medical grade stainless steel
- Compatible with all miscea models.
- Can be removed and is safe for thermal disinfection in autoclaves
- M24x1 filter adapter connection



All measurements are in mm

DESCRIPTION	PRICE €	ART. NR.
Point of Use Filter Adapter - standard miscea faucets	94,95	S02072001



SYSTEM COMPONENTS / **SERVICE**

PRODUCT INFORMATION: DISPENSER BOX

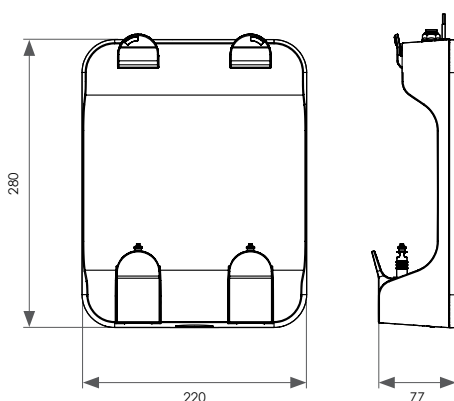


DISPENSER BOX

DESCRIPTION: DISPENSER BOX FOR POUCHES

The dispenser box for use with 1 L vacuum pouches contain peristaltic pumps for the exact dosing of liquids. This component has a smooth, easy to clean outer surface and 2 closures that secure the vacuum pouches in place.

This dispenser box in combination with the vacuum sealed pouches, ensures the quality of the liquid products does not diminish over time as it is not exposed to external contaminants. The dispenser box is now available with a pump head that is easier to replace.

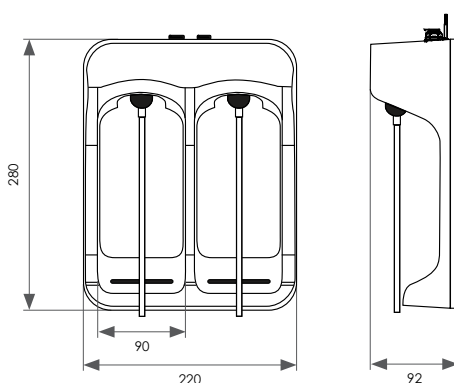


All measurements are in mm



DESCRIPTION: DISPENSER BOX FOR BOTTLES

The dispenser box for use with 1 L Euro bottles contains peristaltic pumps for exact dosing of liquids products. This component has a smooth, easy-to-clean outer surface. The dispenser box is now available with a pump head that is easier to replace.



All measurements are in mm

PLEASE NOTE: miscea recommends Euro bottles to not be refilled because refilling liquid hand hygiene products in existing containers has been proven in many studies as a cause of contamination associated with outbreaks.

Source: „HÄNDEHYGIENE IN EINRICHTUNGEN DES GESUNDHEITSWESENS“. In: Bundesgesundheitsblatt - Gesundheitsforschung - Gesundheitsschutz. Stand September 2016. https://www.rki.de/DE/Content/Infekt/Krankenhaushygiene/Kommission/Downloads/Haendehyg_Riil.pdf?__blob=publicationFile (Visited on 02.12.2017)

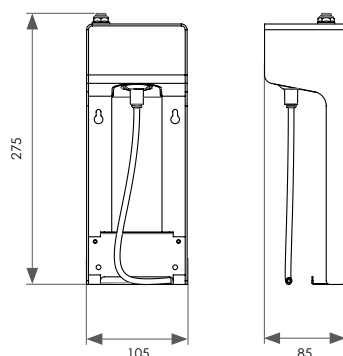
DESCRIPTION	PRICE	ART. NR.
Dispenser box for Pouches (CLASSIC, KITCHEN)	345,00	S05077001
Dispenser box for Pouches (LIGHT)	295,00	S05079001
Dispenser box for Bottles (CLASSIC, KITCHEN)	395,00	S05078001

PRODUCT INFORMATION: DISPENSER BOX / WATERBOX



DISPENSER BOX FOR BOTTLE

The new stainless steel miscela dispenser box for bottle is compatible with 1 L Euro bottles.



All measurements are in mm

DESCRIPTION	PRICE €	ART. NR.
Dispenser box for bottle (LIGHT, CLASSIC PURE S)	320,00	S05084001



WATERBOX GEN 4

DESCRIPTION:

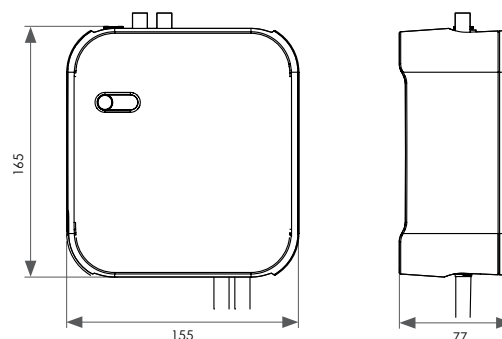
The miscela water box contains a number of important electronic components for the smooth functioning of the miscela CLASSIC and KITCHEN models. It contains a powerful yet low power consuming solenoid valve. In addition, a maintenance-free cartridge and a digital brushless motor allow for the perfect water temperature adjustments.

FEATURES

- Blue LED button to initiate priming mode
- Has smooth glossy finish for easy cleaning
- Quick and easy installation and assembly
- No solenoid valve required
- Contains a 9V battery – In the event of a power outage during use, the integrated battery ensures the cartridge is securely closed.
- Easy descaling of the Waterbox's internal components and easy access to the motor with an Allen key

SPECIFICATIONS

Cable length 1200 mm
Color white



All measurements are in mm

DESCRIPTION	PRICE €	ART. NR.
Waterbox (CLASSIC / KITCHEN)	495,00	S05022002



MISCEA SERVICE

At miscea we believe that premium quality does not end with the product offered. Therefore, miscea has a dedicated team of service professionals committed to every questions or problem.

CALL OUT COST (NATION WIDE - GERMANY / AUSTRIA)	PRICE	ART. NR.
---	-------	----------

Flat rate fee for a miscea service technician to travel to appointment location.	105,00	S04001001
--	--------	-----------

DE-INSTALLATION	PRICE	ART. NR.
-----------------	-------	----------

Removal of existing faucet.	55,00	S04002001
-----------------------------	-------	-----------

INSTALLATION	PRICE	ART. NR.
--------------	-------	----------

Installation of miscea faucet and set up for use.	85,00 per unit	S04003001
---	-------------------	-----------

SERVICE COSTS	PRICE	ART. NR.
---------------	-------	----------

Hourly rate of miscea Service Technician.	100,00 per Hour	S04004001
---	--------------------	-----------

MISCEA MAINTENANCE CONTRACT

In Germany, your miscea system can be serviced by one of our miscea technicians for a small annual fee. This service includes:

- Inspect check valves
- General functional check of the system and lime scale removal
- Change Aerator
- Clean and check the system components
- No travel and working hours are charged for the annual maintenance
- Maintenance is done once a year. If there is a problem with the product, only replacement parts will be charged.

For more information please contact us at berlin@miscea.com

Please note: The above services and service costs apply only to Germany and Austria. Customers outside of Germany/Austria, please contact a miscea representative near you for further information.

COMPANY PROFILE

COMPANY miscea GmbH

HEADQUARTERS Großbeeren, Germany

YEAR FOUNDED 2003

LOCATIONS The Netherlands
Switzerland

NR. OF EMPLOYEES 30

DESCRIPTION miscea GmbH is a German manufacturer of high quality sensor faucet systems with integrated dispensers. The company is head-quartered in Großbeeren, Germany where it currently employs a team of 30 employees for research and development, production, service, administration, marketing and sales.

The miscea management team work closely with these functional areas of the business both in Großbeeren and in other miscea office locations in the Netherlands and Switzerland.

REFERENCE PROJECTS miscea was able to assist many well known companies realize major projects in over 12 countries with its high-quality sensor faucet systems. Below are just some of the projects where miscea systems have been installed and continue to be used today.

- HanseMerkur (Insurance Group, Germany)
- EDEKA (Supermarket Group, Germany)
- Hoffmann La Roche (Pharmaceutical Company, Switzerland)
- Schulthess Clinic (Medical Clinic, Switzerland)
- VU University Medical Centre (University Medical Centre, The Netherlands)
- Teva Pharmachie (Pharmaceutical Company, The Netherlands)
- JPMorgan Chase Bank (Banking institution, Belgium)







