

# PRODUCT INFORMATION: MISCEA CLASSIC



## DESCRIPTION

Sensor faucet with integrated soap and disinfectant dispensers. Available with and without touch free water temperature controls.

## FEATURES

- Electronic faucet with 2 selectable liquid options
- Faucet user interface made of high quality laser engraved glass
- Clear display for water temperature feedback
- Touch free water temperature controls
- Automatic flushing for prevention of water-borne bacteria. Cycles completely adjustable with the miscea remote control (sold separately)
- Compatible with the miscea Connect App (Available separately. See page. 65)

## INCLUDED

- miscea **CLASSIC** Faucet
- Waterbox
- Soapbox
- miscea Liquids
- Stainless steel braided hoses for hot and cold water connections (850 mm)
- Power plug (Cable length 1800 mm)
- 1 x Installation kit
- 1 x Instruction manual

## SPECIFICATIONS

Voltage	24 V <sub>DC</sub>
Input voltage	100 ~ 240 V <sub>AC</sub> / 50 - 60 Hz
Operating pressure	0,5 - 8 bar
Max. water temp	70 °C
IP rating of PCB	IP 55



100%  
Contactless



Integrated  
Disinfectant Dispenser



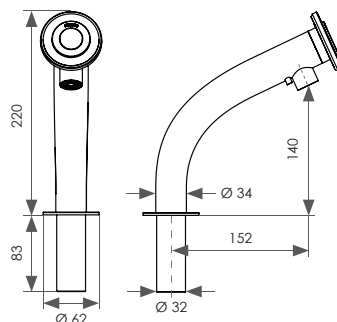
Integrated  
Soap Dispenser



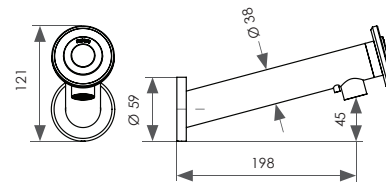
\*Water Temperature  
Control

All measurements are in mm. \*Available only with miscea CLASSIC models with water temperature control.

For wall models, you can purchase a separate concealed mounting element with item number S02043001 for €49.95. See page 88 for more information.

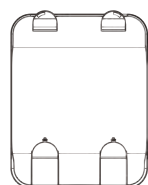


**CLASSIC Standard**

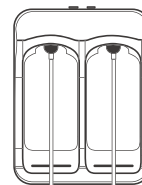


**CLASSIC Wall**

**MODEL:**



**FOR POUCHES**








**FOR BOTTLES**

**SOAPBOX TYPE:**

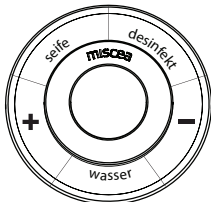
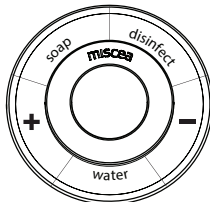
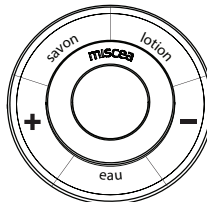
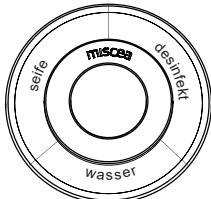
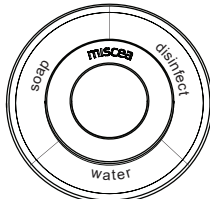
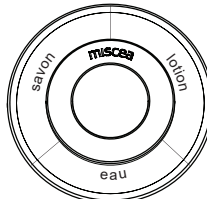
# PRODUCT INFORMATION: MISCEA CLASSIC

FINISH OPTIONS	MODEL		SOAPBOX TYPE		TEMPERATURE CONTROL		DISPLAY			PRICE	ART. NR.
	Standard	Wall	Pouch	Bottle	Yes	No	DE	EN	FR	€	
Stainless Steel	✓		✓		✓		✓			1.295,00	CER1S1NCDE
	✓		✓		✓		✓	✓		1.295,00	CER1S1NCEN
	✓		✓		✓				✓	1.295,00	CER1S1NCFR
	✓		✓			✓	✓			1.195,00	CER1S1NCDETO
	✓		✓			✓	✓	✓		1.195,00	CER1S1NCENTO
	✓		✓			✓		✓		1.195,00	CER1S1NCFRTO
	✓			✓	✓	✓	✓			1.395,00	CER1S2NCDE
	✓			✓	✓	✓	✓			1.395,00	CER1S2NCEN
	✓			✓	✓	✓		✓		1.395,00	CER1S2NCFR
	✓				✓		✓			1.295,00	CER1S2NCDETO
	✓				✓		✓	✓		1.295,00	CER1S2NCENTO
	✓				✓			✓		1.295,00	CER1S2NCFRTO
	✓	✓		✓		✓	✓			1.295,00	CER3S1NCDE
	✓	✓		✓		✓	✓	✓		1.295,00	CER3S1NCEN
	✓	✓		✓		✓		✓		1.295,00	CER3S1NCFR
	✓	✓			✓		✓			1.195,00	CER3S1NCDETO
	✓	✓			✓		✓	✓		1.195,00	CER3S1NCENTO
	✓	✓			✓			✓		1.195,00	CER3S1NCFRTO
✓	✓			✓		✓			1.395,00	CER3S2NCDE	
✓	✓			✓		✓	✓		1.395,00	CER3S2NCEN	
✓	✓			✓			✓		1.395,00	CER3S2NCFR	
✓	✓			✓		✓			1.295,00	CER3S2NCDETO	
✓	✓			✓		✓	✓		1.295,00	CER3S2NCENTO	
✓	✓			✓			✓		1.295,00	CER3S2NCFRTO	

To place an order for the different surface finishes in this range, simply replace the colour code in the second position of the article number with the colour code of your choice. For example, in article number CER1S1NCEN, the "E" stands for stainless steel finish. If you would like to order the same product in "Polished Gold", replace "E" with "GP". The article number will then be CGPR1S1NCEN. The finishes shown here are indicative only and may vary from the actual product.

							
<b>COLOUR:</b>	Polished Chrome	Matt Black	Matt White	Gun Metal	Antique Copper	Antique Gold	Polished Gold
<b>CODE:</b>	<b>C</b>	<b>SM</b>	<b>WM</b>	<b>GM</b>	<b>KA</b>	<b>GA</b>	<b>GP</b>
<b>ADDED COST:</b>	+0 EUR	+74,95 EUR	+74,95 EUR	+129,95 EUR	+129,95 EUR	+129,95 EUR	+295,95 EUR

Prices are exclusive of VAT, and shipping costs. Lead time for polished chrome / brushed stainless steel: approx. 2 - 4 weeks. Lead times for all other colour variants: approx. 6 - 8 weeks. Please inquire about the current delivery times at berlin@misccea.com.

	GERMAN (DE)	ENGLISH (EN)	FRENCH (FR)
<b>DISPLAY WITH TEMPERATURE CONTROL:</b>			
<b>DISPLAY WITHOUT TEMPERATURE CONTROL:</b>			

# PRODUCT INFORMATION: SOAPBOX

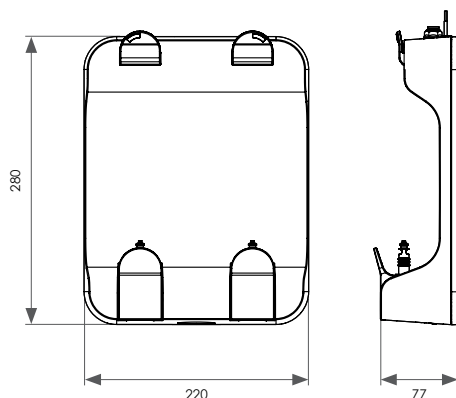


## SOAPBOX

### DESCRIPTION: SOAPBOX FOR POUCHES

The soapbox for use with 1 L vacuum pouches contain peristaltic pumps for the exact dosing of liquids. This component has a smooth, easy to clean outer surface and 2 closures that secure the vacuum pouches in place.

This soapbox in combination with the vacuum sealed pouches, ensures the quality of the liquid products does not diminish over time as it is not exposed to external contaminants.

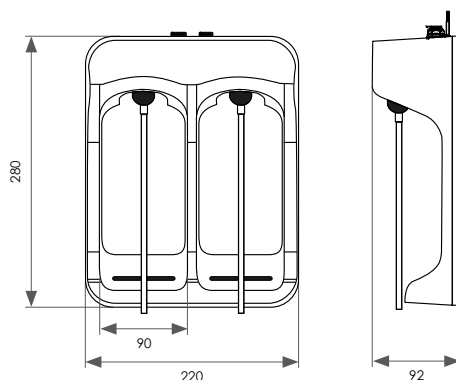


All measurements are in mm



### DESCRIPTION: SOAPBOX FOR BOTTLES

The soapbox for use with 1 L Euro bottles contains peristaltic pumps for exact dosing of liquids products. This component has a smooth, easy-to-clean outer surface.



All measurements are in mm

**PLEASE NOTE: miscea recommends Euro bottles to not be refilled because refilling liquid hand hygiene products in existing containers has been proven in many studies as a cause of contamination associated with outbreaks.**

Source: „HÄNDEHYGIENE IN EINRICHTUNGEN DES GESUNDHEITSWESENS“. In: Bundesgesundheitsblatt - Gesundheitsforschung - Gesundheitsschutz. Stand September 2016. [https://www.rki.de/DE/Content/Infekt/Krankenhaushygiene/Kommission/Downloads/Haendehyg\\_Riil.pdf?\\_\\_blob=publicationFile](https://www.rki.de/DE/Content/Infekt/Krankenhaushygiene/Kommission/Downloads/Haendehyg_Riil.pdf?__blob=publicationFile) (Visited on 02.12.2017)

# PRODUCT INFORMATION: WATERBOX



## WATERBOX

### DESCRIPTION:

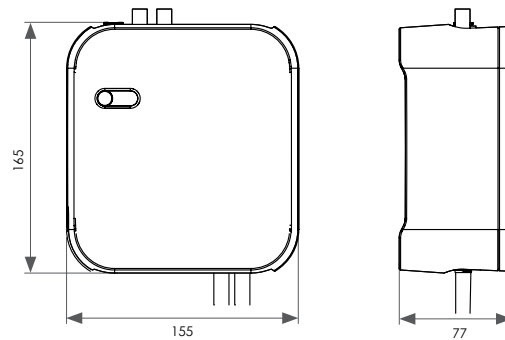
The miscea water box contains a number of important electronic components for the smooth functioning of the miscea CLASSIC and KITCHEN models. It contains a powerful yet low power consuming solenoid valve. In addition, a maintenance-free cartridge and a digital brushless motor allow for the perfect water temperature adjustments.

### FEATURES

- Blue LED button to initiate priming mode
- Has smooth glossy finish for easy cleaning
- Quick and easy installation and assembly

### SPECIFICATIONS

Cable length	1200 mm
Color	white with grey components



All measurements are in mm